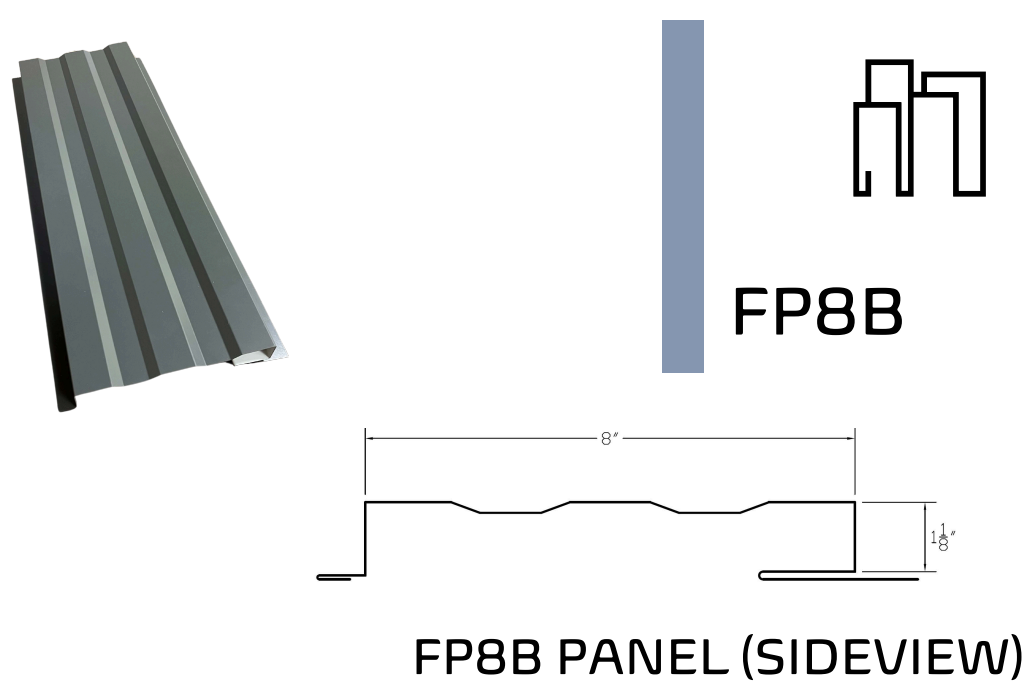
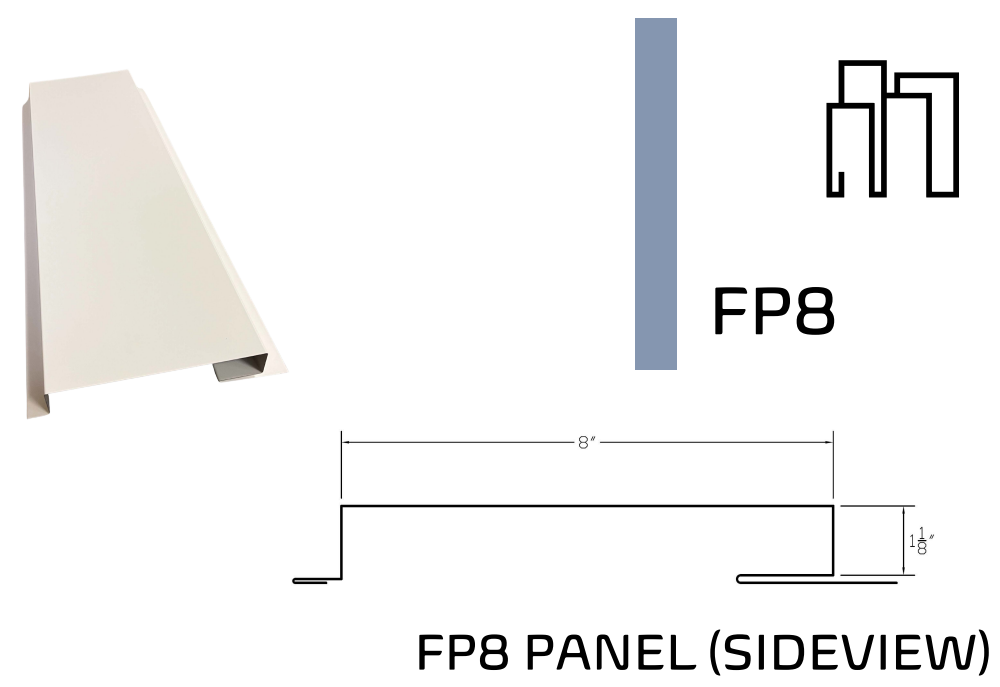
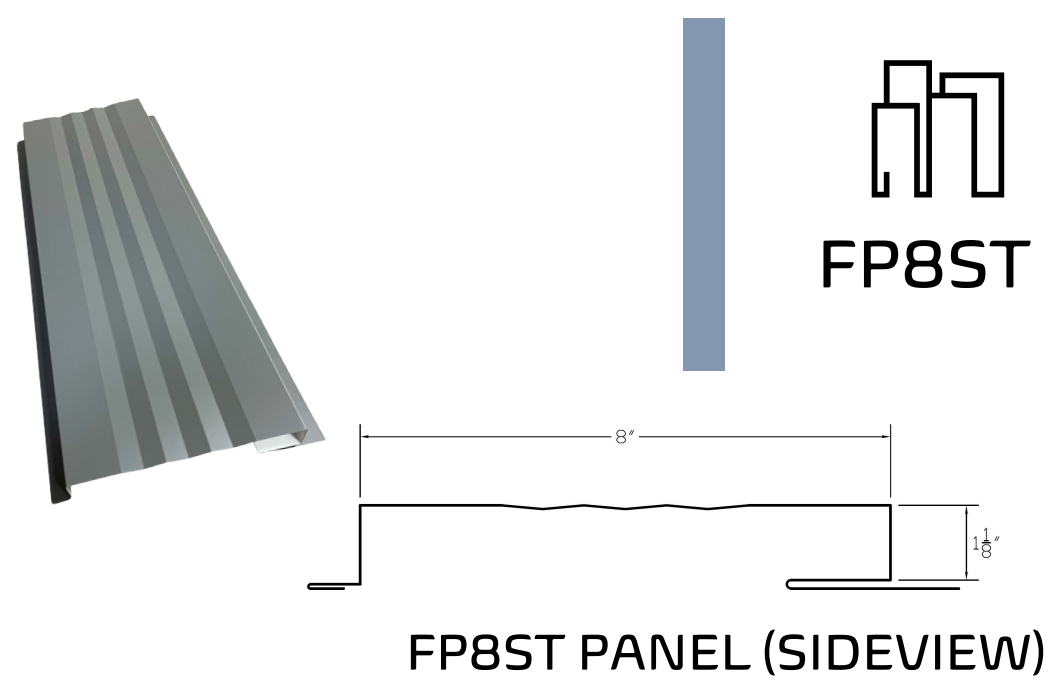
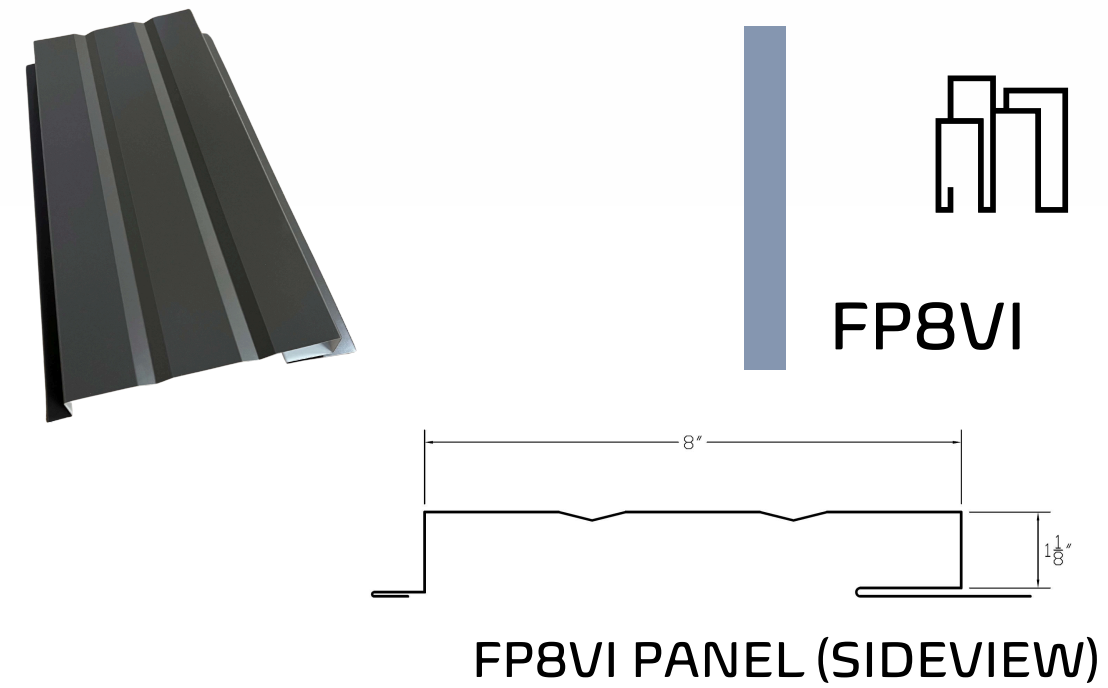
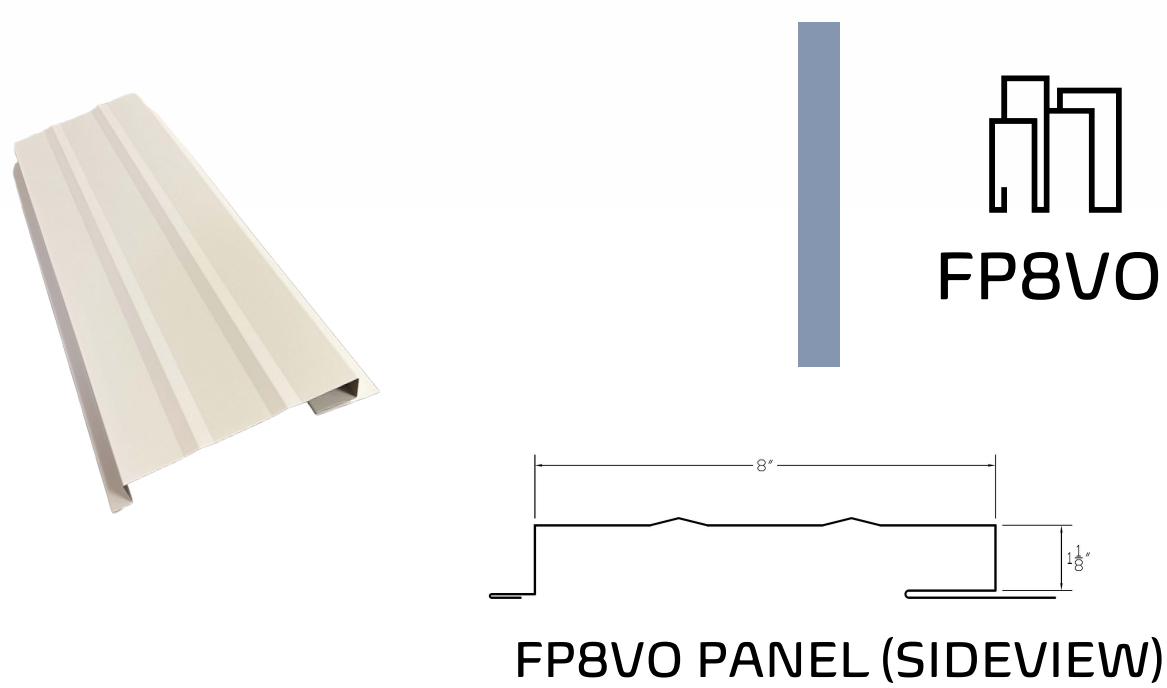


## TITANTEK™ FLUSH Variants

The **PLANK** VariPanel family is designed to be used with wood finishes and mimics the appearance of plank walls. These designs are ideal for both modern and traditional architectural styles that bring authentic, warmth, and rustic aesthetics. Engineered to last decades, design with confidence knowing your wood grain finishes are made from recyclable U.S. steel, 30+ year finishes, and provide long-lasting and low-maintenance alternatives to traditional wood products.



Available in All TitanTek colors. Download the PDF Color Cards at:

[www.TitanTekAMP.com](http://www.TitanTekAMP.com)

Standard Widths	Available In Lengths	Materials	Testing / Certifications
8"	2-20 Feet	Galvalume: 24 GA, 22 GA; Aluminum: .040, .032	ASTM E283, E330, E331, E1592

For more information or to speak with a TitanTek representative, please send your contact information to [info@TitanTekAMP.com](mailto:info@TitanTekAMP.com)