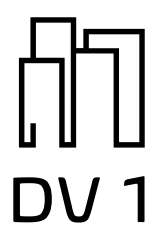


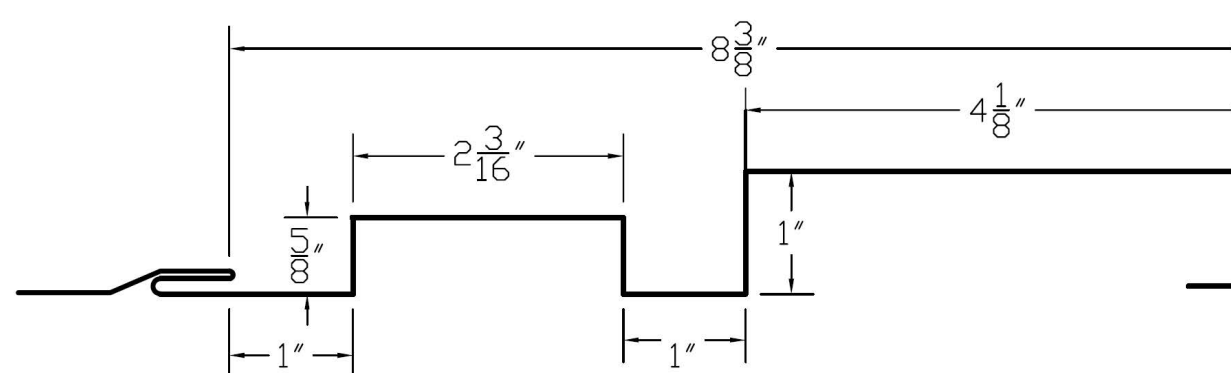
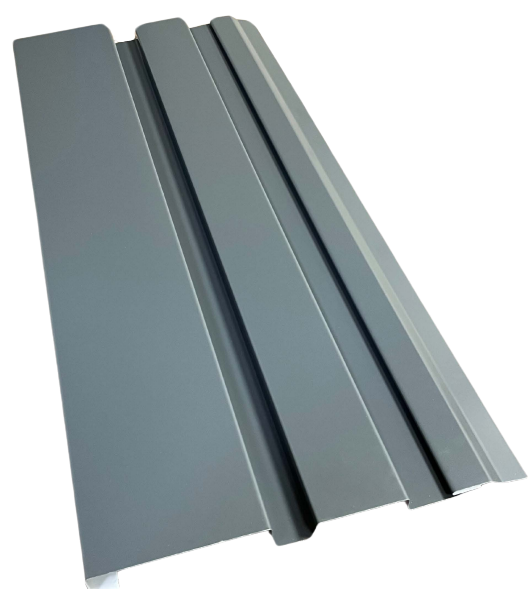
## TITANTEK™ DV VariPanel™

VariPanel™ is a system of similar profile architectural metal claddings that can be used interchangeably, varied, staggered, or randomized by color or profile, allowing designers the freedom to create their own unique and durable exterior aesthetics.

The DV VariPanel System features three (3) panel profiles in a very popular box rib aesthetic, but varies the depth and width of ribs to create visual variation in both planes. Oversized ribs create a deeper reveal that will stand out from a distance, creating deeper shadows and increasing rib distinction. Designers can combine these three panels in a pattern, different colors, or install them randomly to create a unique aesthetic.



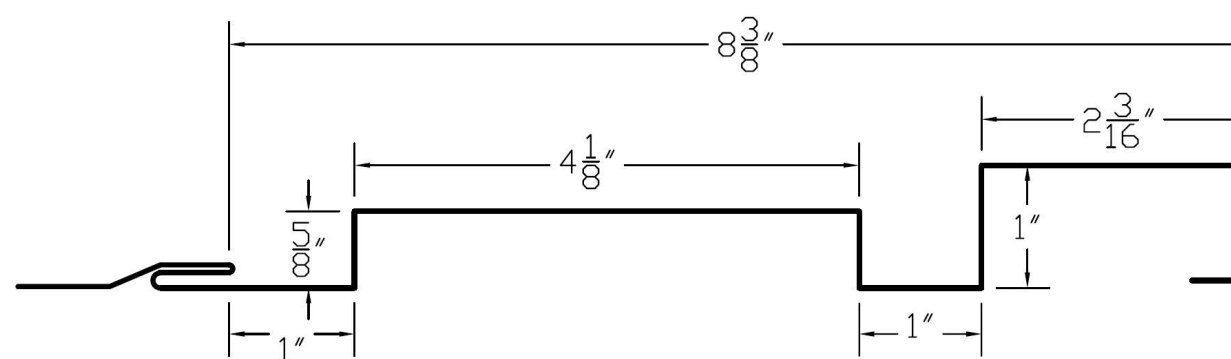
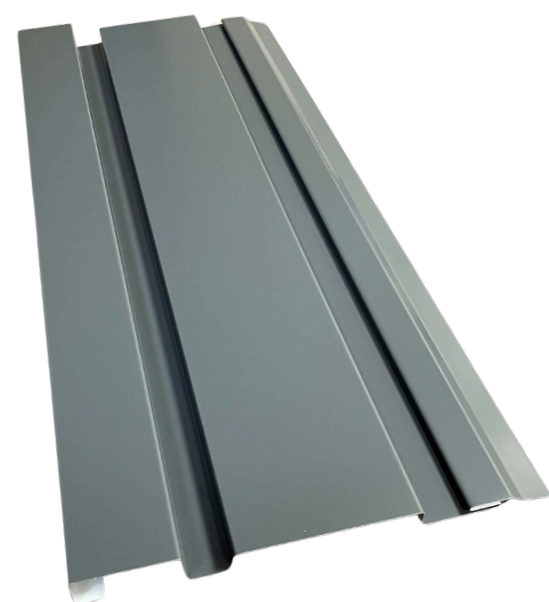
DV 1



DV 1 PROFILE



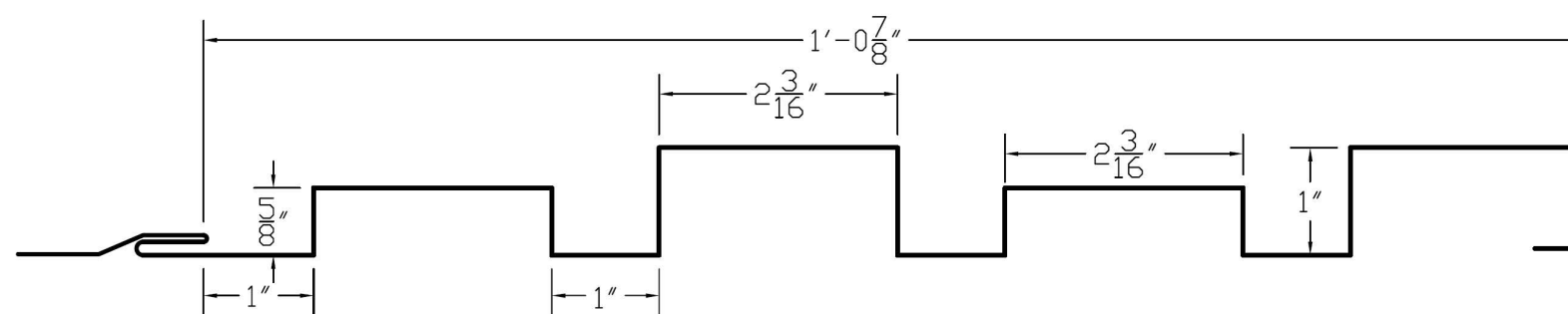
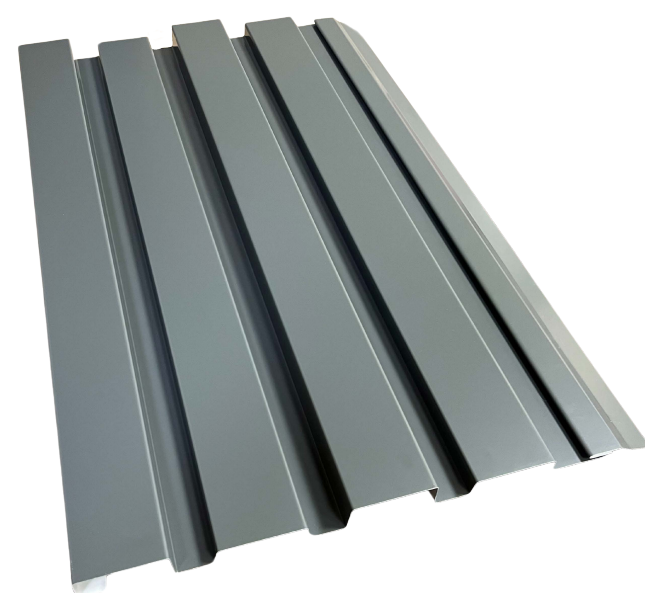
DV 2



DV 2 PROFILE



DV 3



DV 3 PROFILE

VariPanel Type	Standard Widths	Available In Lengths	Materials	Testing / Certifications
DV1	8.375"	2-20 Feet	Galvalume: 24 GA, 22 GA Aluminum: .040, .032	ASTM E283, E330, E331, E1592
DV2	8.375"	2-20 Feet	Galvalume: 24 GA, 22 GA Aluminum: .040, .032	ASTM E283, E330, E331, E1592
DV3	1' - 0.875"	2-20 Feet	Galvalume: 24 GA, 22 GA Aluminum: .040, .032	ASTM E283, E330, E331, E1592



Available in All TitanTek colors. Download the PDF Color Cards at:

[www.TitanTekAMP.com](http://www.TitanTekAMP.com)

For more information or to speak with a TitanTek representative, please send your contact information to [info@TitanTekAMP.com](mailto:info@TitanTekAMP.com)

