

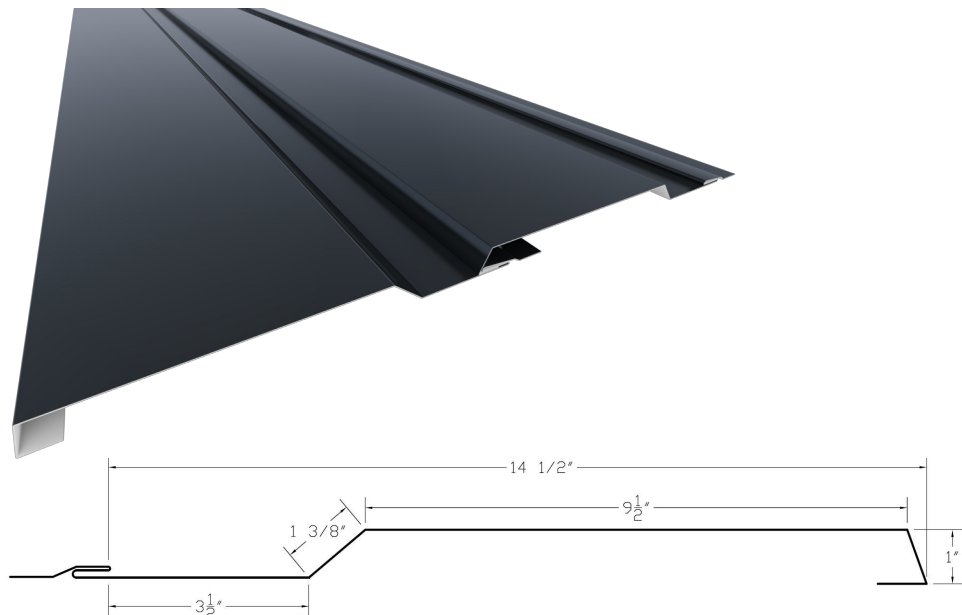
TITANTEK™ HVP VariPanel™

VariPanel™ is a system of similar profile architectural metal claddings that can be used interchangeably, varied, staggered, or randomized by color or profile, allowing designers the freedom to create their own unique and durable exterior aesthetics.

The HVP VariPanel system features three (3) panel profiles with varying rib widths and consistent angled rib legs. Due to the water-friendly profile, these panels are generally used in a horizontal application. These panels can be used in an alternating pattern or randomized to create unique exterior dimension and depth. With a vast assortment of colors and textured finishes in 40-year PVDF coatings, use all three panel profiles together or in any order to make your lasting, low-maintenance exterior stand out from the rest.



VariPanel™
HVP 1



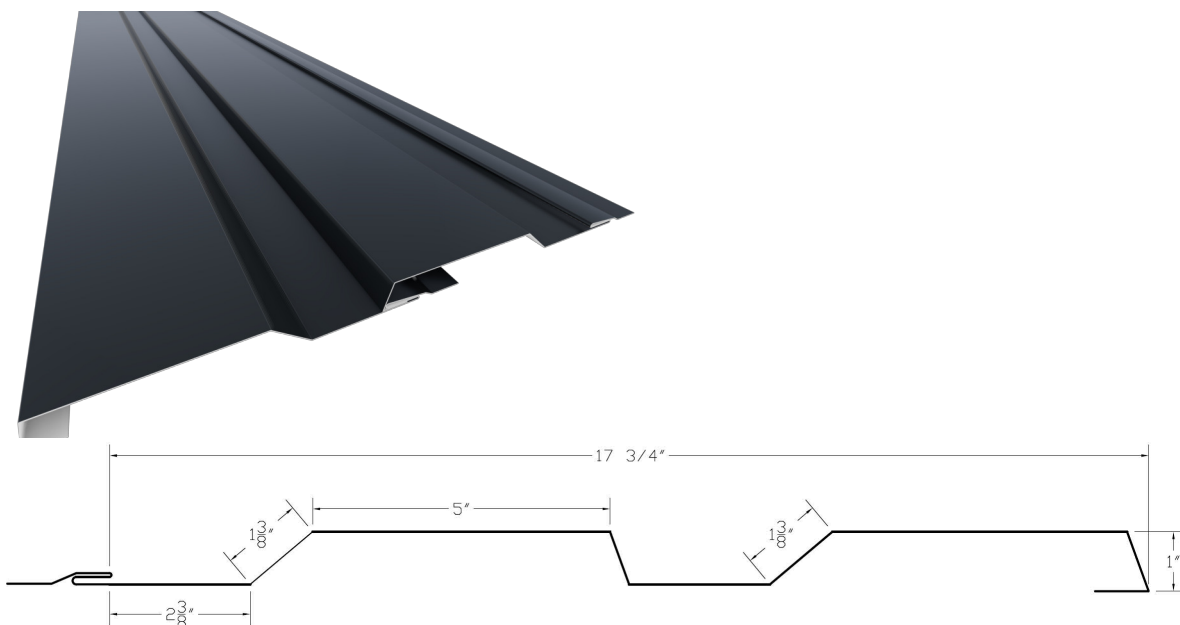
VariPanel™
HVP 1 (SIDEVIEW)



VariPanel™
HVP 1



VariPanel™
HVP 2



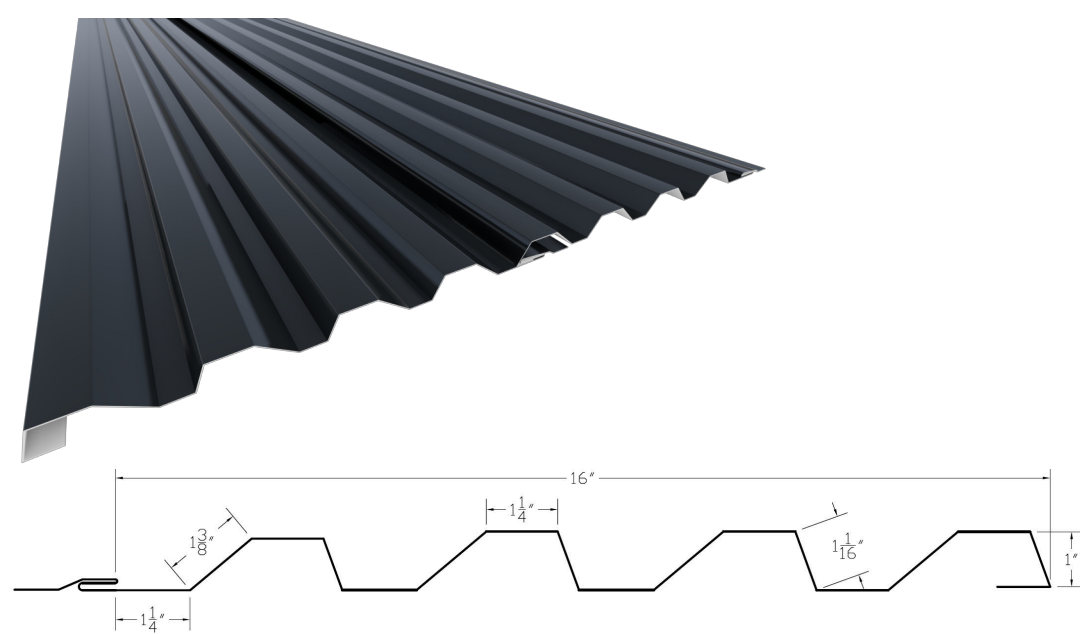
VariPanel™
HVP 2 (SIDEVIEW)



VariPanel™
HVP 2



VariPanel™
HVP 4



VariPanel™
HVP 4 (SIDEVIEW)



VariPanel™
HVP 4

VariPanel Type	Standard Widths	Available In Lengths	Materials	Testing / Certifications
HVP1	14.50"	2-20 Feet	Galvalume: 24 GA, 22 GA Aluminum: .040, .032	ASTM E283, E330, E331, E1592
HVP2	17.75"	2-20 Feet	Galvalume: 24 GA, 22 GA Aluminum: .040, .032	ASTM E283, E330, E331, E1592
HVP4	16"	2-20 Feet	Galvalume: 24 GA, 22 GA Aluminum: .040, .032	ASTM E283, E330, E331, E1592



Available in All TitanTek colors. Download the PDF Color Card at:

www.TitanTekAMP.com

For more information or to speak with a TitanTek representative, please send your contact information to info@TitanTekAMP.com