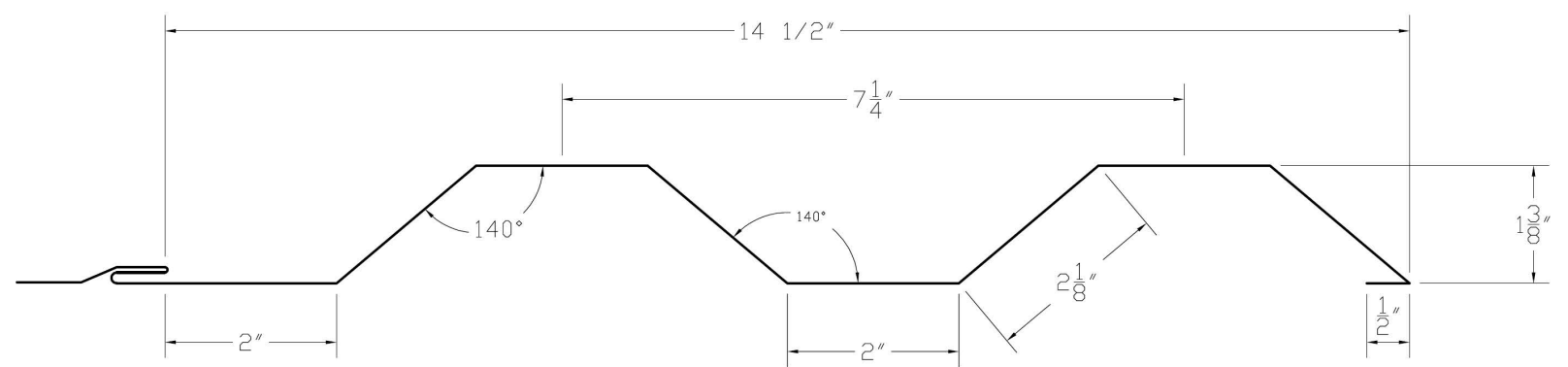


TITANTEK™ 7.2 CF Panel

The TitanTek 7.2 CF panels combine the popular 7.2 profile with the aesthetic of concealed fasteners. This heavy-duty, structural design is ideal for both roof and wall applications, accommodating both horizontal and vertical siding installation. The 7.2 CF Panel is quickly and easily installed with concealed fasteners over solid substrate or open framing. Featuring a modern industrial aesthetic, the 7.2 CF Panel is a modern and beautifully designed panel profile.

The 7.2 CF panels are offered in all TitanTek standard finishes as well as Bonderized, A606 Corten, and Galvalume Plus finishes.



Applications:

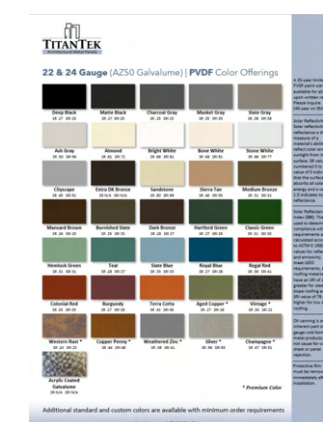
- Roof, Wall, Soffit, and Fascia
- Horizontal or Vertical Installations
- Residential, Commercial, Agricultural
- Installs Over Solid Substrate or Open Framing

Accessories:

- S-5 Snow Retention and Solar Attachment Systems
- Color Match Roof Sealants
- Ice and Water Shield Underlayment
- Foam Closure Strips



Standard Width	Available Lengths	Materials
14.5"	2-20 Feet	Galvalume: 24 GA, 22 GA Aluminum: .040, .032



Available in All TitanTek colors. Download the PDF Color Card at:

www.TitanTekAMP.com

For more information or to speak with a TitanTek representative, please send your contact information to info@TitanTekAMP.com