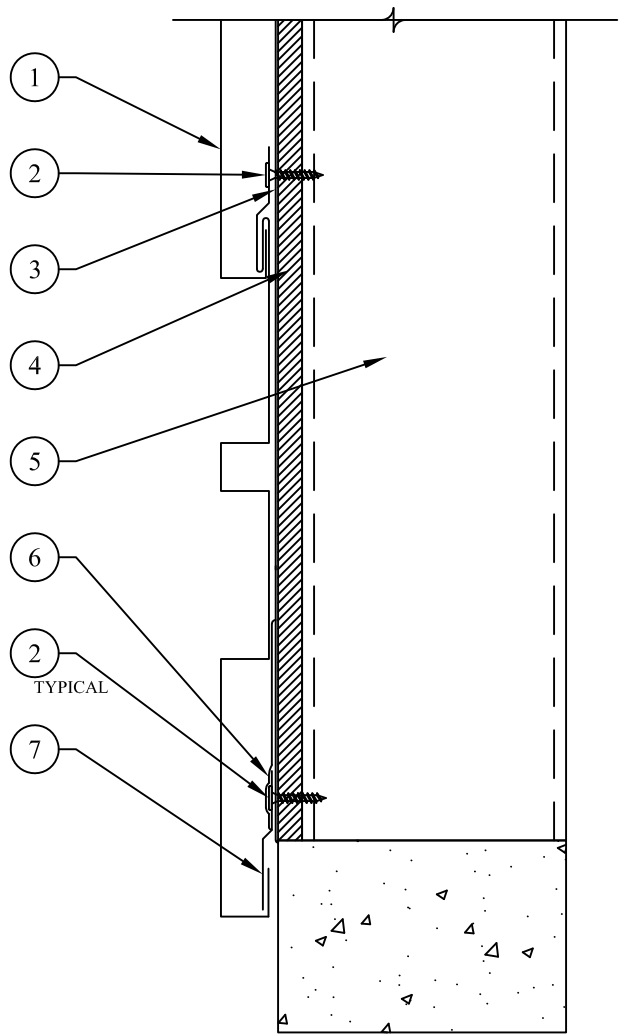
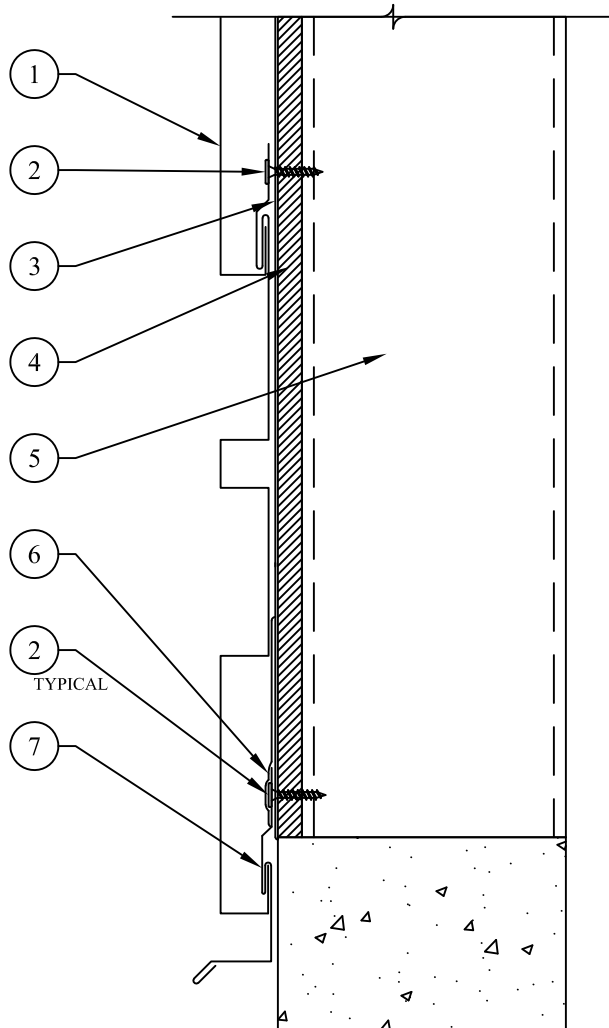


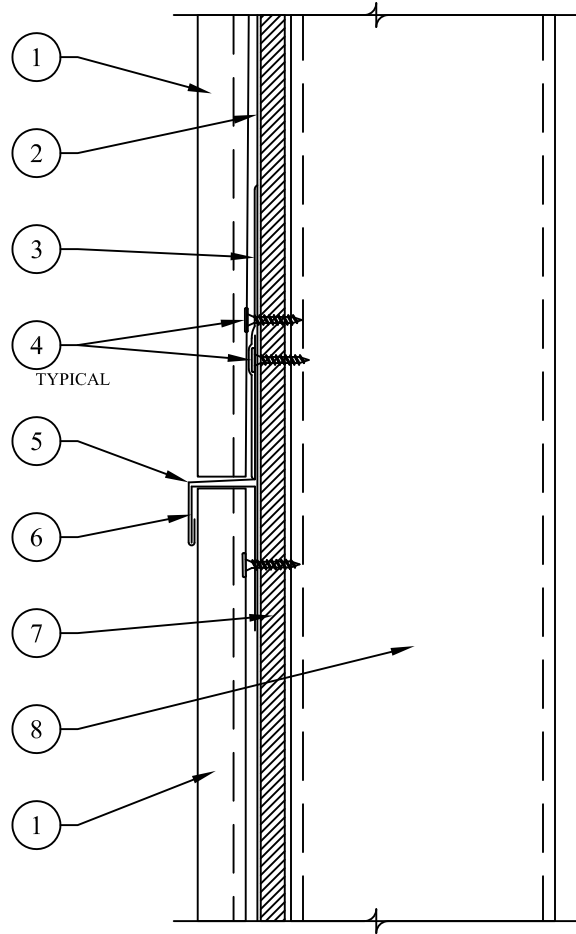
1. VERTICAL VARIPANEL SYSTEM, FASTEN THROUGH FLANGE 24" O.C. MAXIMUM
2. WEATHER BARRIER, BY OTHERS
3. PLYWOOD SUBSTRATE, BY OTHERS
4. FRAMING, BY OTHERS
5. WEATHER BARRIER SEALED TO SILL FLASHING
6. #10-9 X 1 $\frac{1}{8}$ " ULP WOOD FASTENER
7. SILL FLASHING, 4" END LAPS WITH SEALANT IN THE LAP, FASTEN 12" O.C. MINIMUM



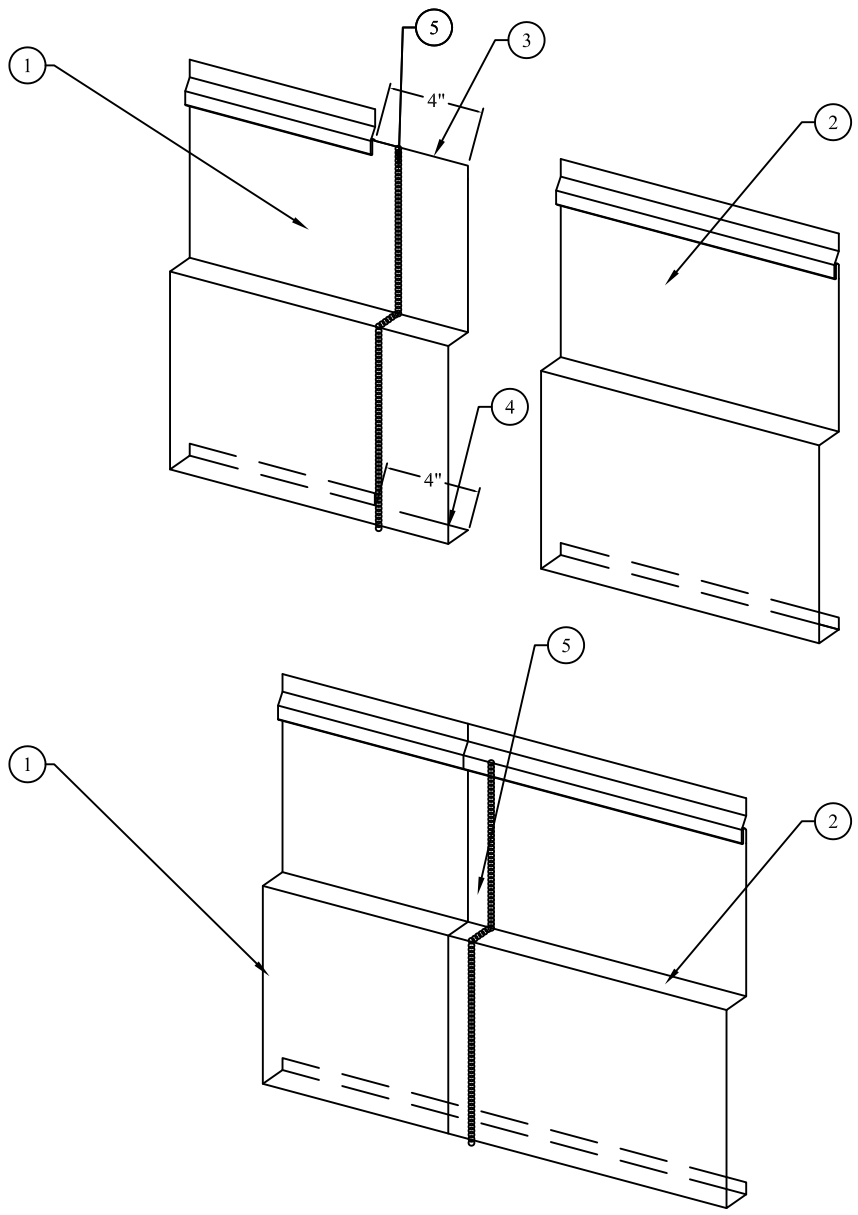
1. HORIZONTAL VARIPANEL WALL SYSTEM, FASTEN THROUGH FLANGE
24" O.C. MAXIMUM
2. #10-9 X 1 $\frac{1}{8}$ " ULP WOOD FASTENER
3. WEATHER BARRIER, BY OTHERS
4. PLYWOOD SUBSTRATE, BY OTHERS
5. FRAMING, BY OTHERS
6. WEATHER BARRIER SEALED TO STARTER CLEAT
7. STARTER CLEAT, FASTEN 12" O.C.



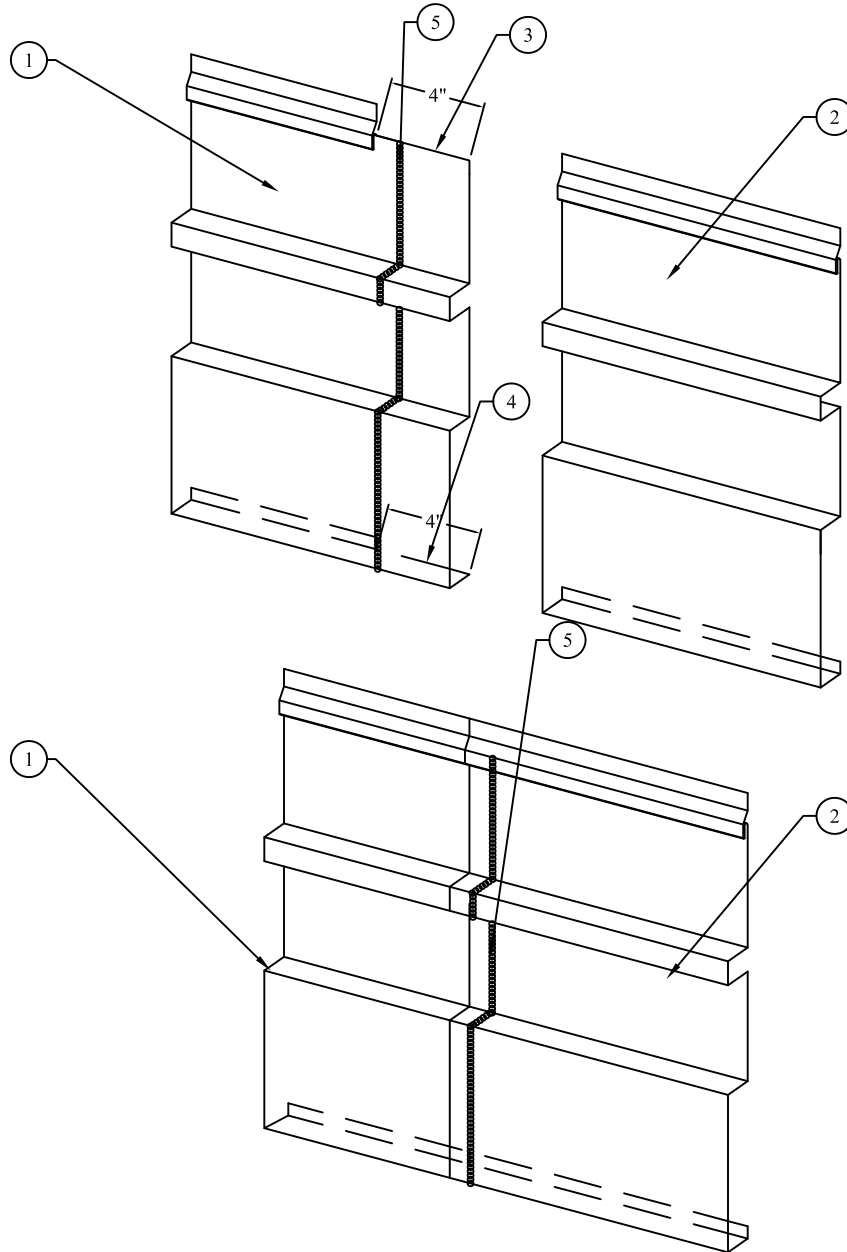
1. HORIZONTAL VARI PANEL WALL SYSTEM, FASTEN THROUGH FLANGE
24" O.C. MAXIMUM
2. #10-9 X 1 $\frac{1}{8}$ " ULP WOOD FASTENER
3. WEATHER BARRIER, BY OTHERS
4. WOOD SUBSTRATE, BY OTHERS
5. FRAMING, BY OTHERS
6. WEATHER BARRIER SEALED TO SILL
7. SILL WITH CLEAT, FASTEN 12" O.C.



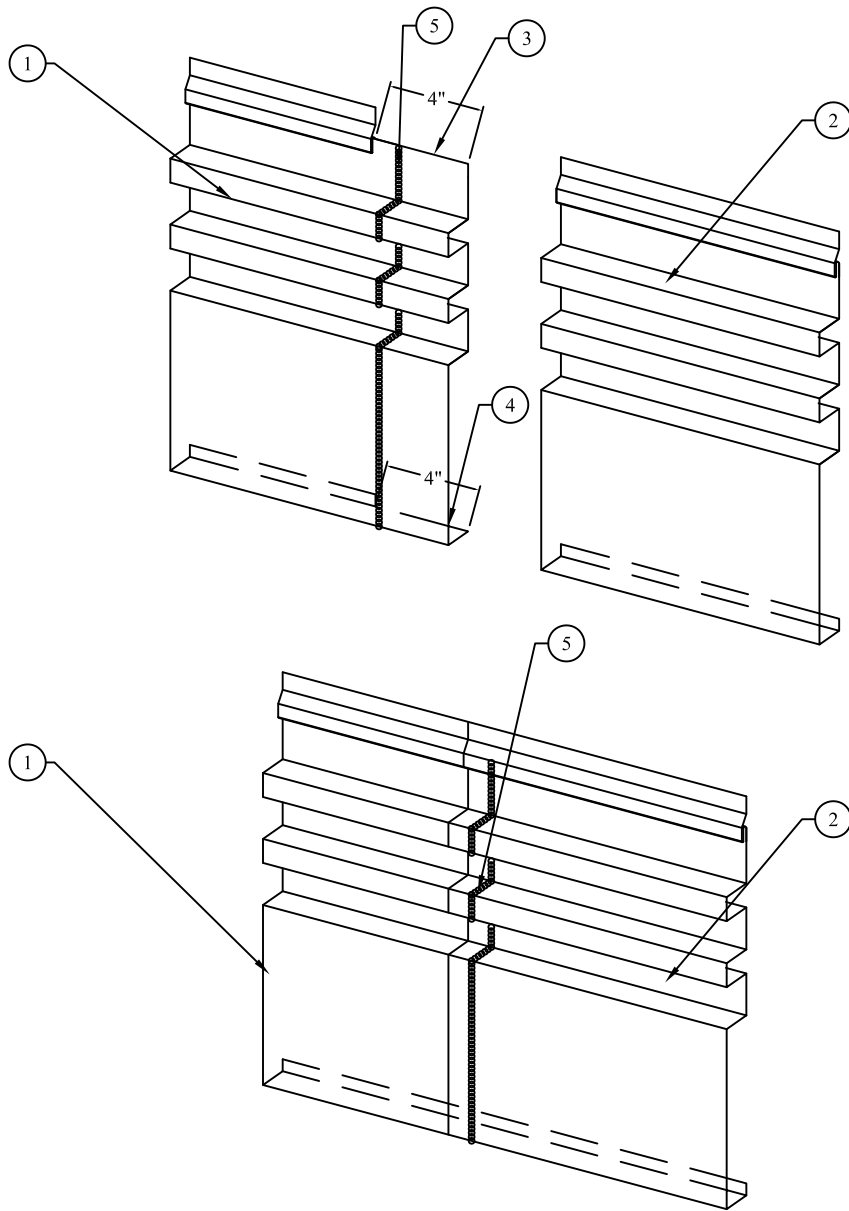
1. VERTICAL VARIPANEL SYSTEM, FASTEN THROUGH FLANGE 24" O.C. MAXIMUM
2. WEATHER BARRIER, BY OTHERS
3. WEATHER BARRIER SEALED TO Z SILL FLASHING
4. #10-9 1/8" ULP WOOD FASTENER
5. Z SILL FLASHING, 4" END LAPS WITH A CONTINUOUS BEAD OF SEALANT IN THE LAP, FASTEN 12" O.C.
6. C CHANNEL, 4" END LAP, FASTEN 12" O.C.
7. PLYWOOD SUBSTRATE, BY OTHERS
8. FRAMING, BY OTHERS



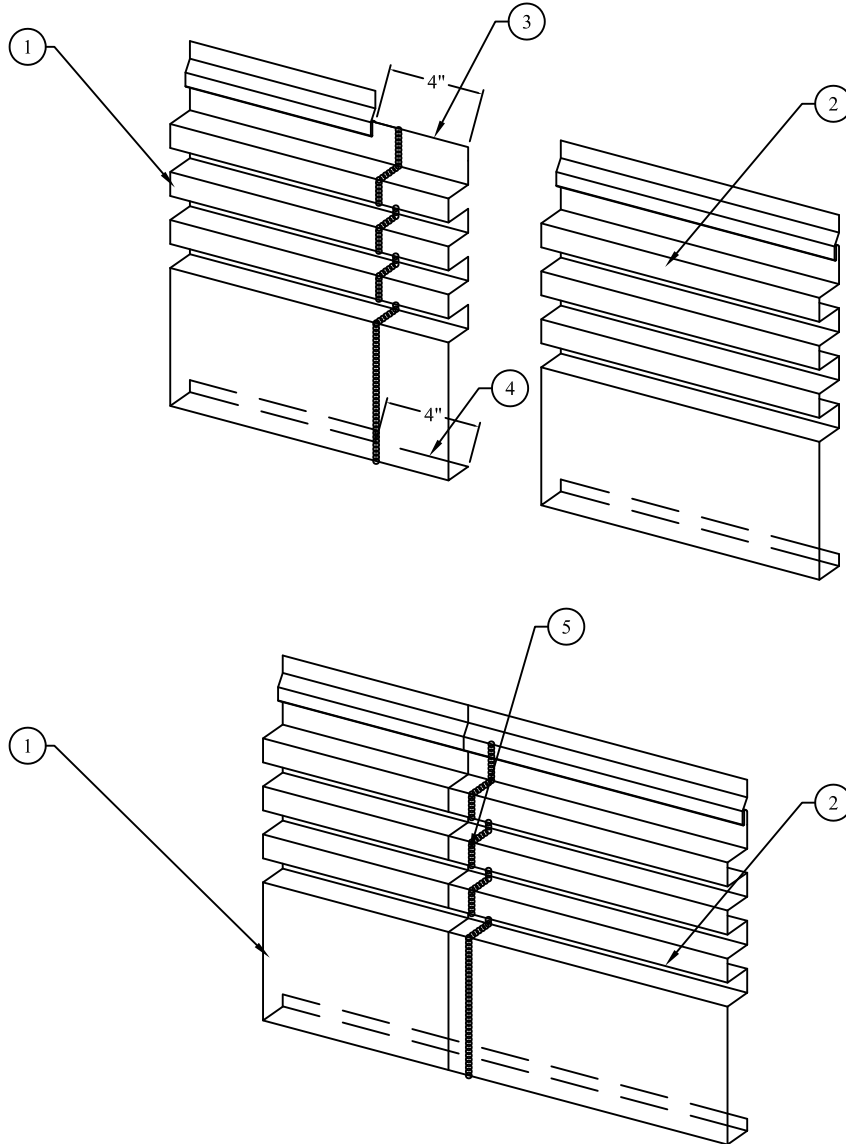
1. FIRST HORIZONTAL VARIPANEL, 4" END LAP WITH A CONTINUOUS BEAD OF TITANTEK APPROVED SEALANT, FASTEN THROUGH THE FLANGE 24" O.C.
2. SECOND HORIZONTAL VARI PANEL, 4" END LAP WITH A CONTINUOUS BEAD OF TITANTEK APPROVED SEALANT, FASTEN THOUGH THE FLANGE 24" O.C.
3. FIELD CUT CLEAT TO BE ABLE TO LAP VARIPANEL
4. FIELD CUT PANEL LEG TO BE ABLE TO LAP VARIPANEL
5. A CONTINUOUS BEAD OF TITANTEK APPROVED SEALANT



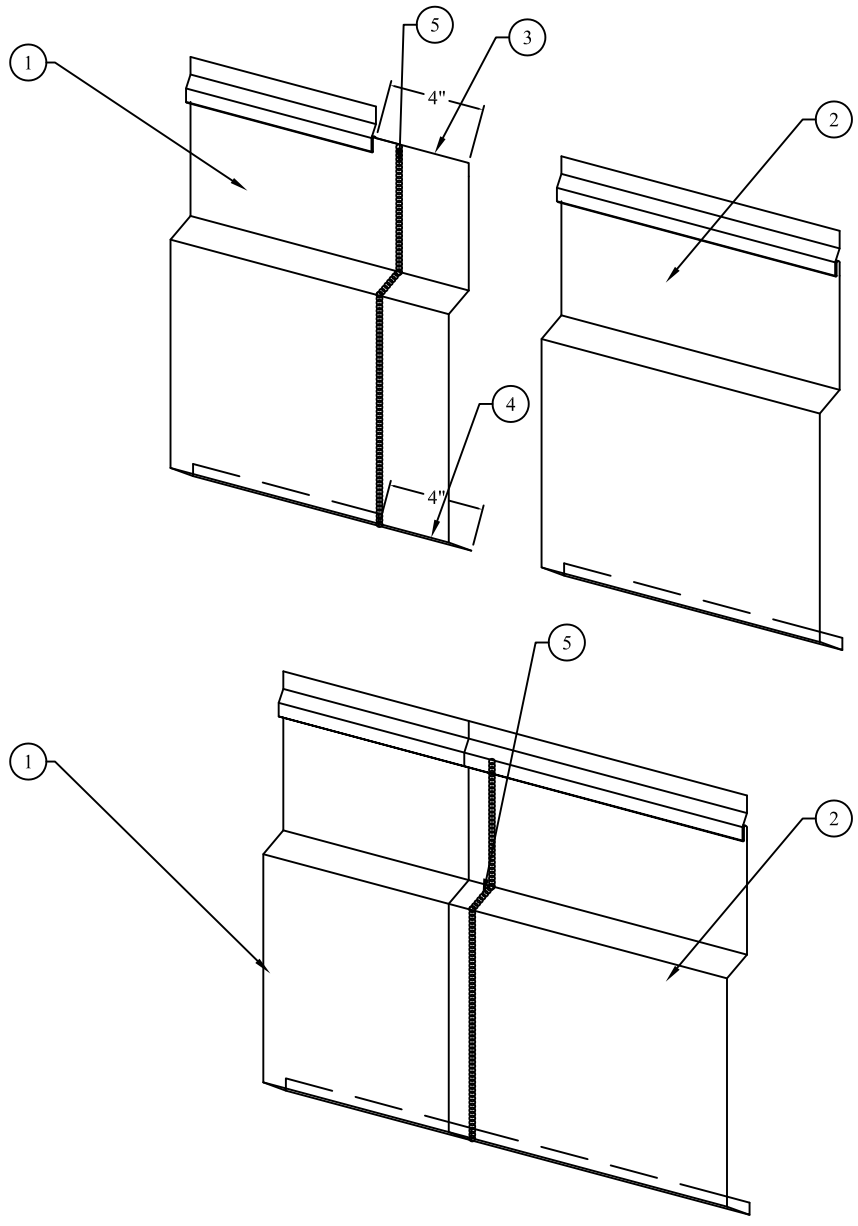
1. FIRST HORIZONTAL VARIPANEL, 4" END LAP WITH A CONTINUOUS BEAD OF TITANTEK APPROVED SEALANT, FASTEN THROUGH THE FLANGE 24" O.C.
2. SECOND HORIZONTAL VARI PANEL, 4" END LAP WITH A CONTINUOUS BEAD OF TITANTEK APPROVED SEALANT, FASTEN THOUGH THE FLANGE 24" O.C.
3. FIELD CUT CLEAT TO BE ABLE TO LAP VARIPANEL
4. FIELD CUT PANEL LEG TO BE ABLE TO LAP VARIPANEL
5. A CONTINUOUS BEAD OF TITANTEK APPROVED SEALANT



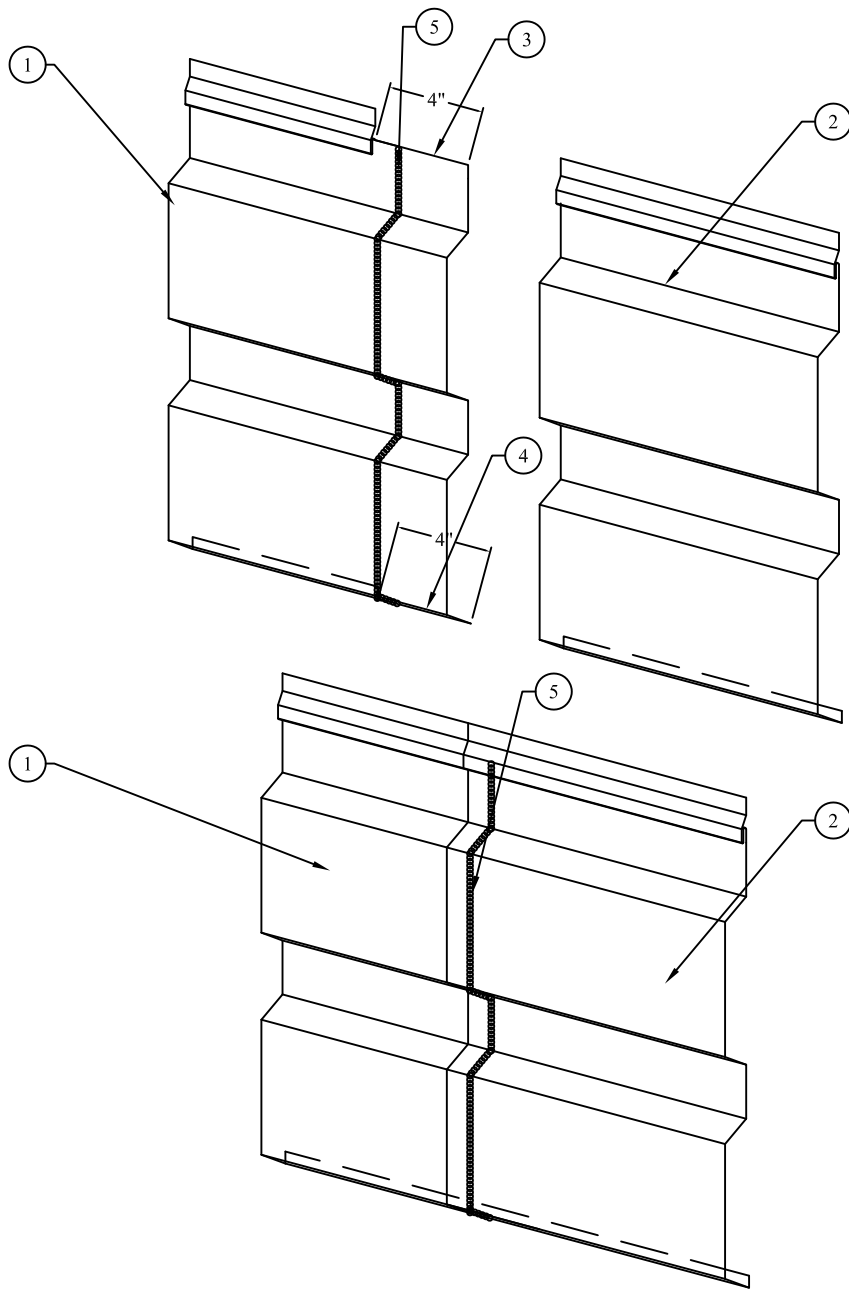
1. FIRST HORIZONTAL VARIPANEL, 4" END LAP WITH A CONTINUOUS BEAD OF TITANTEK APPROVED SEALANT, FASTEN THROUGH THE FLANGE 24" O.C.
2. SECOND HORIZONTAL VARI PANEL, 4" END LAP WITH A CONTINUOUS BEAD OF TITANTEK APPROVED SEALANT, FASTEN THOUGH THE FLANGE 24" O.C.
3. FIELD CUT CLEAT TO BE ABLE TO LAP VARIPANEL
4. FIELD CUT PANEL LEG TO BE ABLE TO LAP VARIPANEL
5. A CONTINUOUS BEAD OF TITANTEK APPROVED SEALANT



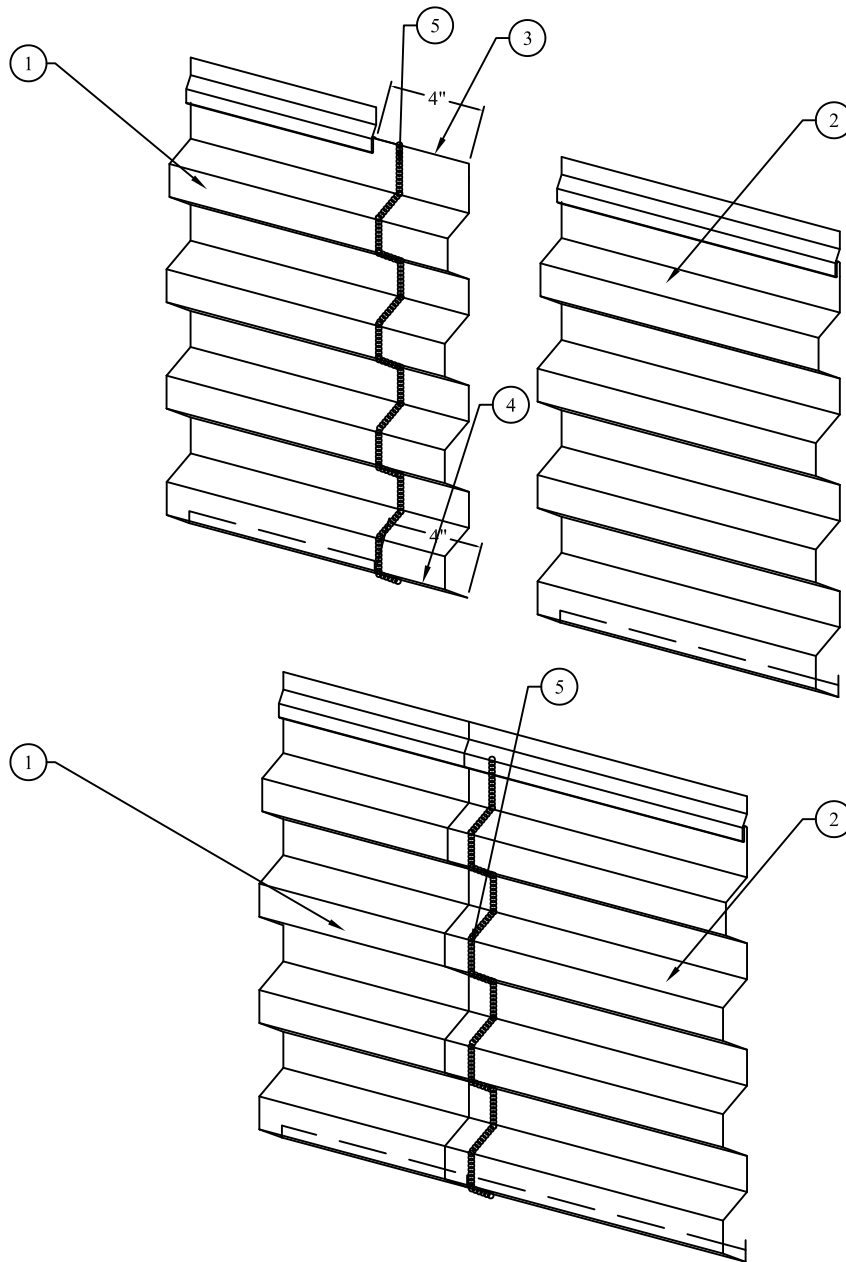
1. FIRST HORIZONTAL VARIPANEL, 4" END LAP WITH A CONTINUOUS BEAD OF TITANTEK APPROVED SEALANT, FASTEN THROUGH THE FLANGE 24" O.C.
2. SECOND HORIZONTAL VARI PANEL, 4" END LAP WITH A CONTINUOUS BEAD OF TITANTEK APPROVED SEALANT, FASTEN THOUGH THE FLANGE 24" O.C.
3. FIELD CUT CLEAT TO BE ABLE TO LAP VARIPANEL
4. FIELD CUT PANEL LEG TO BE ABLE TO LAP VARIPANEL
5. A CONTINUOUS BEAD OF TITANTEK APPROVED SEALANT



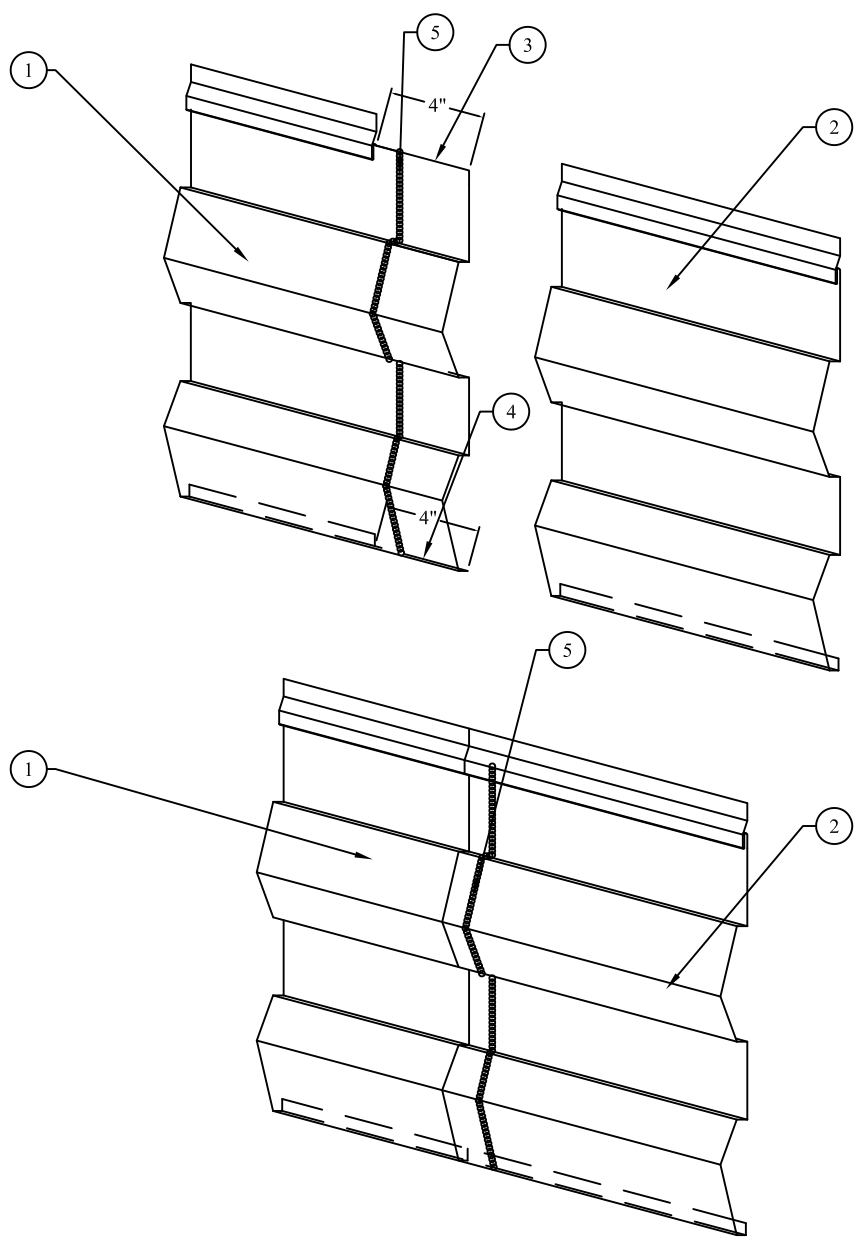
1. FIRST HORIZONTAL VARIPANEL, 4" END LAP WITH A CONTINUOUS BEAD OF TITANTEK APPROVED SEALANT, FASTEN THROUGH THE FLANGE 24" O.C.
2. SECOND HORIZONTAL VARI PANEL, 4" END LAP WITH A CONTINUOUS BEAD OF TITANTEK APPROVED SEALANT, FASTEN THOUGH THE FLANGE 24" O.C.
3. FIELD CUT CLEAT TO BE ABLE TO LAP VARIPANEL
4. FIELD CUT PANEL LEG TO BE ABLE TO LAP VARIPANEL
5. A CONTINUOUS BEAD OF TITANTEK APPROVED SEALANT



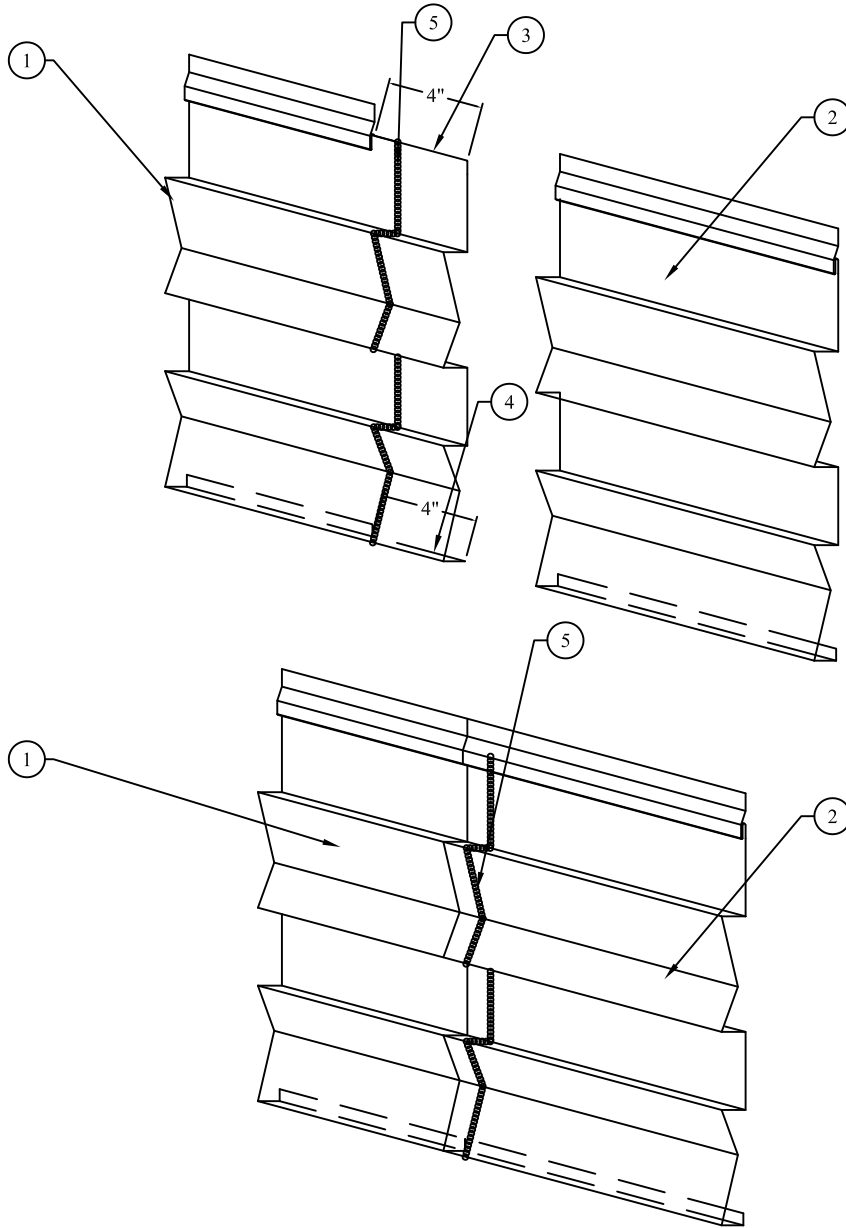
1. FIRST HORIZONTAL VARIPANEL, 4" END LAP WITH A CONTINUOUS BEAD OF TITANTEK APPROVED SEALANT, FASTEN THROUGH THE FLANGE 24" O.C.
2. SECOND HORIZONTAL VARI PANEL, 4" END LAP WITH A CONTINUOUS BEAD OF TITANTEK APPROVED SEALANT, FASTEN THOUGH THE FLANGE 24" O.C.
3. FIELD CUT CLEAT TO BE ABLE TO LAP VARIPANEL
4. FIELD CUT PANEL LEG TO BE ABLE TO LAP VARIPANEL
5. A CONTINUOUS BEAD OF TITANTEK APPROVED SEALANT



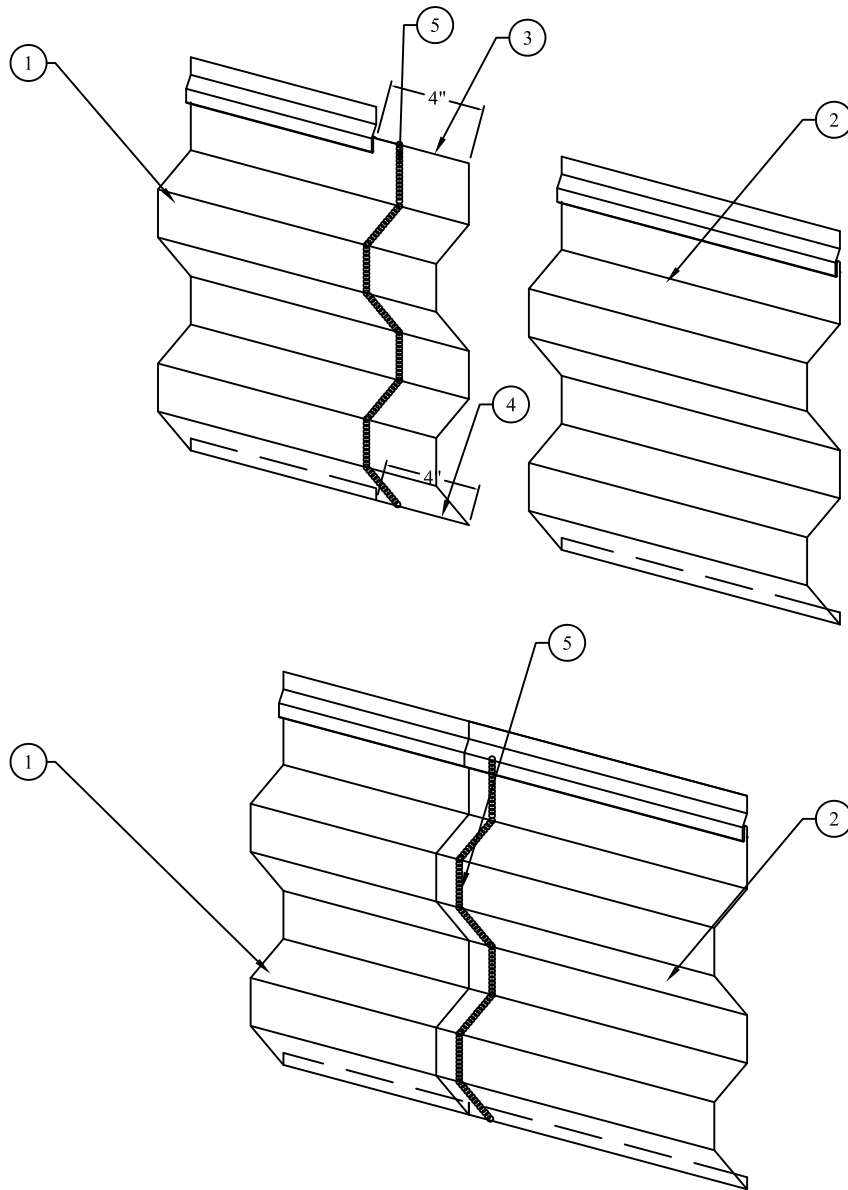
1. FIRST HORIZONTAL VARIPANEL, 4" END LAP WITH A CONTINUOUS BEAD OF TITANTEK APPROVED SEALANT, FASTEN THROUGH THE FLANGE 24" O.C.
2. SECOND HORIZONTAL VARI PANEL, 4" END LAP WITH A CONTINUOUS BEAD OF TITANTEK APPROVED SEALANT, FASTEN THOUGH THE FLANGE 24" O.C.
3. FIELD CUT CLEAT TO BE ABLE TO LAP VARIPANEL
4. FIELD CUT PANEL LEG TO BE ABLE TO LAP VARIPANEL
5. A CONTINUOUS BEAD OF TITANTEK APPROVED SEALANT



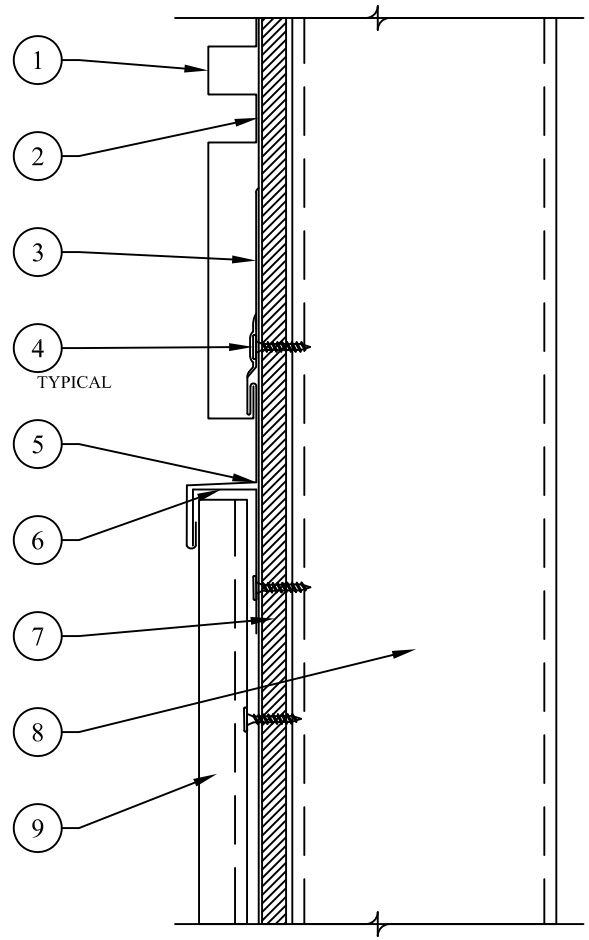
1. FIRST HORIZONTAL VARIPANEL, 4" END LAP WITH A CONTINUOUS BEAD OF TITANTEK APPROVED SEALANT, FASTEN THROUGH THE FLANGE 24" O.C.
2. SECOND HORIZONTAL VARI PANEL, 4" END LAP WITH A CONTINUOUS BEAD OF TITANTEK APPROVED SEALANT, FASTEN THOUGH THE FLANGE 24" O.C.
3. FIELD CUT CLEAT TO BE ABLE TO LAP VARIPANEL
4. FIELD CUT PANEL LEG TO BE ABLE TO LAP VARIPANEL
5. A CONTINUOUS BEAD OF TITANTEK APPROVED SEALANT



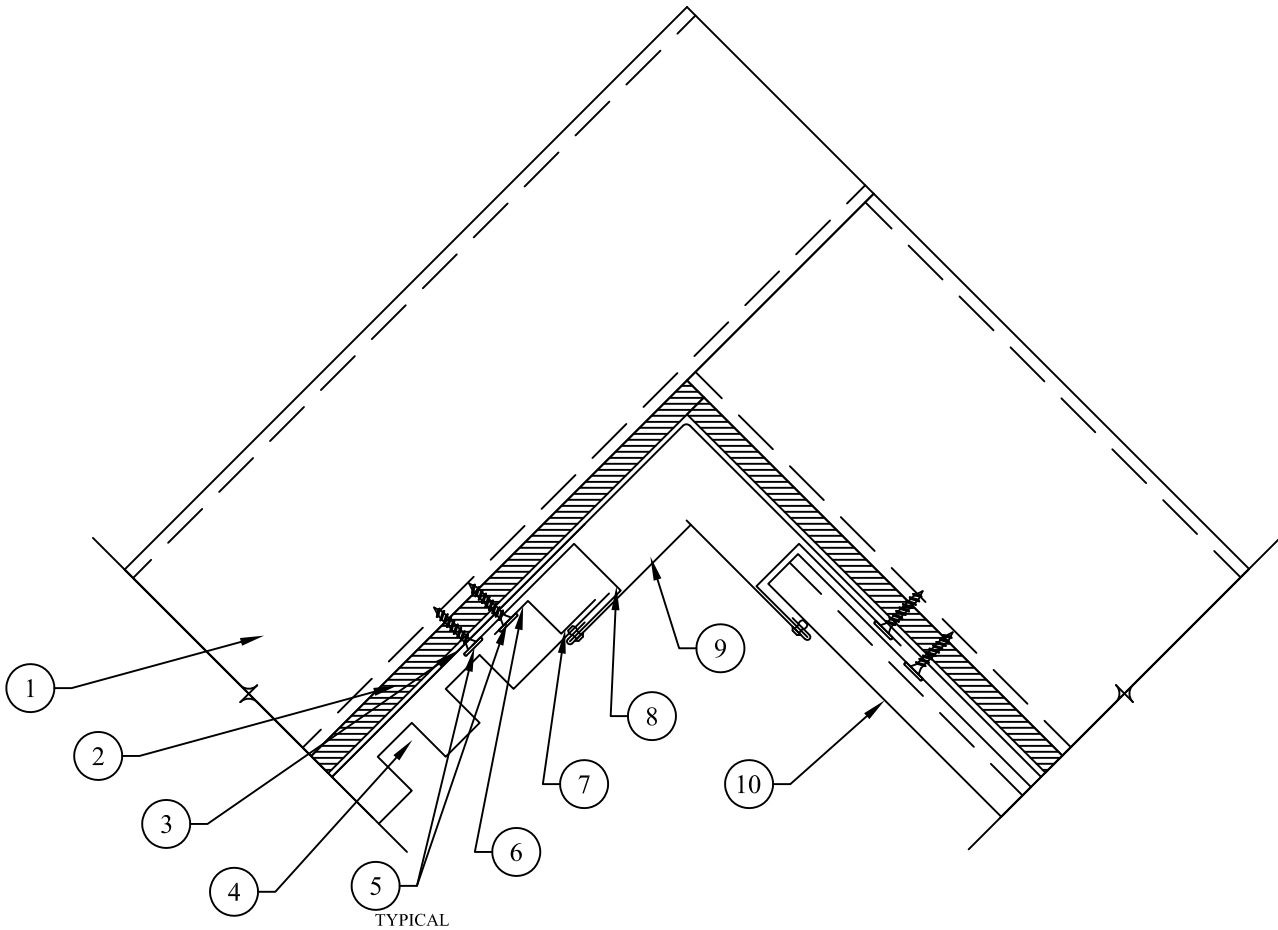
1. FIRST HORIZONTAL VARIPANEL, 4" END LAP WITH A CONTINUOUS BEAD OF TITANTEK APPROVED SEALANT, FASTEN THROUGH THE FLANGE 24" O.C.
2. SECOND HORIZONTAL VARI PANEL, 4" END LAP WITH A CONTINUOUS BEAD OF TITANTEK APPROVED SEALANT, FASTEN THOUGH THE FLANGE 24" O.C.
3. FIELD CUT CLEAT TO BE ABLE TO LAP VARIPANEL
4. FIELD CUT PANEL LEG TO BE ABLE TO LAP VARIPANEL
5. A CONTINUOUS BEAD OF TITANTEK APPROVED SEALANT



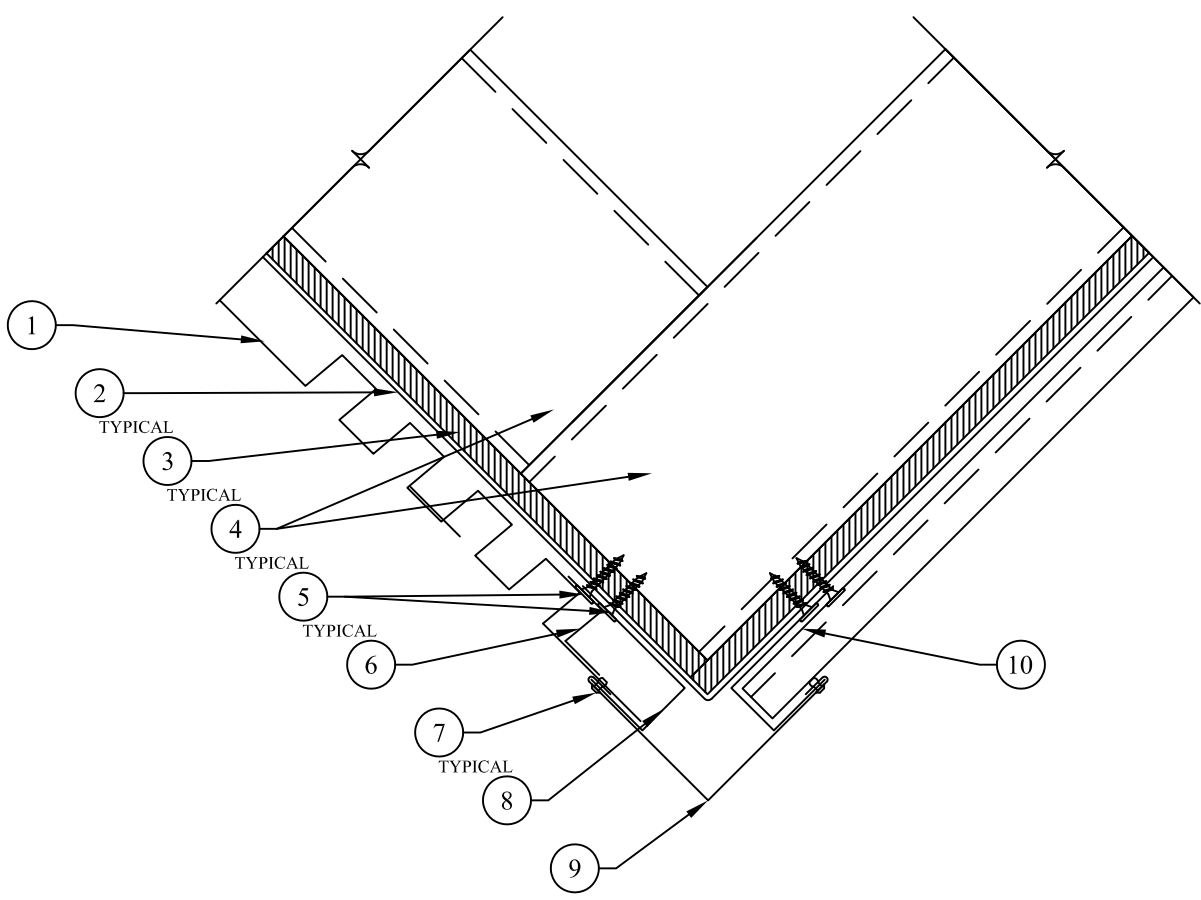
1. FIRST HORIZONTAL VARIPANEL, 4" END LAP WITH A CONTINUOUS BEAD OF TITANTEK APPROVED SEALANT, FASTEN THROUGH THE FLANGE 24" O.C.
2. SECOND HORIZONTAL VARI PANEL, 4" END LAP WITH A CONTINUOUS BEAD OF TITANTEK APPROVED SEALANT, FASTEN THOUGH THE FLANGE 24" O.C.
3. FIELD CUT CLEAT TO BE ABLE TO LAP VARIPANEL
4. FIELD CUT PANEL LEG TO BE ABLE TO LAP VARIPANEL
5. A CONTINUOUS BEAD OF TITANTEK APPROVED SEALANT



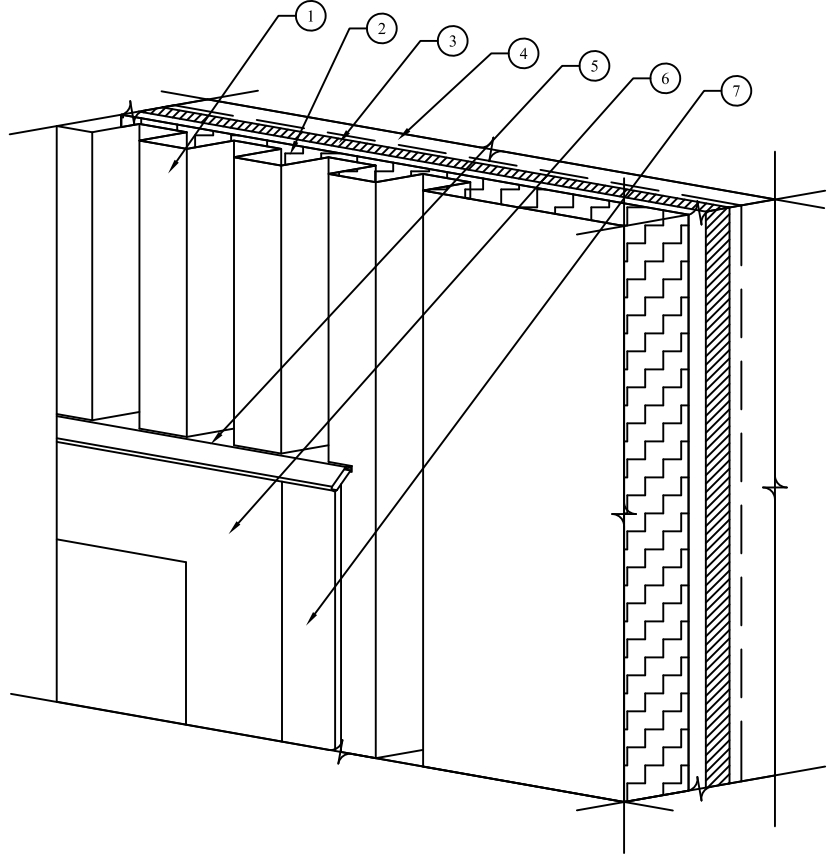
1. HORIZONTAL VARIPANEL SYSTEM, FASTEN THROUGH FLANGE 24" O.C. MAXIMUM
2. WEATHER BARRIER, BY OTHERS
3. WEATHER BARRIER SEALED TO Z SILL FLASHING
4. #10-9 1/8" ULP WOOD FASTENER
5. Z SILL FLASHING WITH CLEAT, 4" END LAPS WITH A CONTINUOUS BEAD OF SEALANT IN THE LAP, FASTEN 12" O.C.
6. C CHANNEL, 4" END LAP, FASTEN 12" O.C.
7. PLYWOOD SUBSTRATE, BY OTHERS
8. FRAMING, BY OTHERS
9. VERTICAL VARIPANEL SYSTEM, FASTEN THROUGH FLANGE 24" O.C.



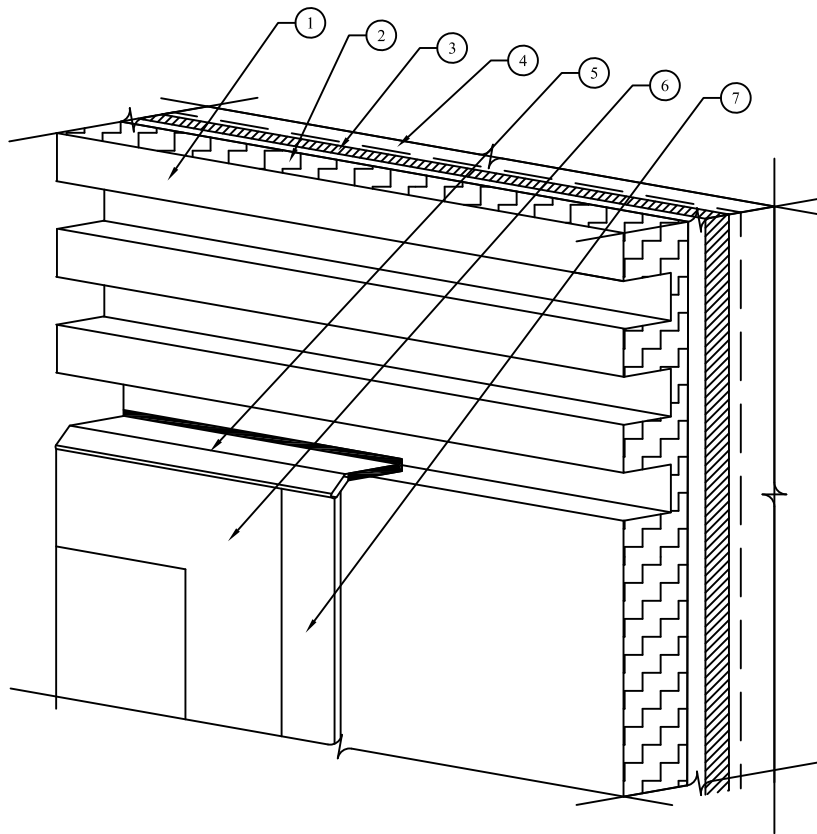
1. FRAMING, BY OTHERS
2. PLYWOOD SUBSTRATE, BY OTHERS
3. WEATHER BARRIER, BY OTHERS
4. VERTICAL VARIPANEL, FASTEN THROUGH THE FLANGE 24" O.C.
5. #10-9 ULP WOOD FASTENER
6. PANEL SUPPORT
7. $\frac{1}{8}$ " STAINLESS STEEL POP RIVET, PAINTED
8. C CHANNEL, 4" END LAP WITH A CONTINUOUS BEAD OF SEALANT IN THE LAP, FASTEN 12" O.C.
9. INSIDE CORNER FLASHING, 4" END LAPS WITH A CONTINUOUS BEAD OF SEALANT IN THE LAP, RIVET TO C CHANNEL 30" O.C.
10. HORIZONTAL VARIPANEL, FASTEN THROUGH THE FLANGE 24" O.C.



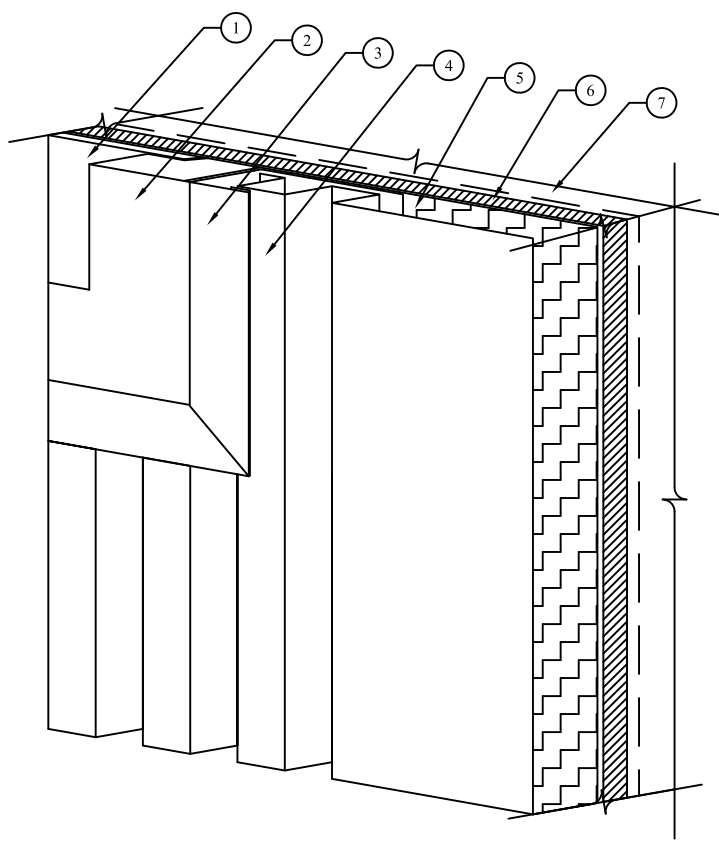
1. VERTICAL VARIPANEL SYSTEM, FASTEN THROUGH FLANGE 24" O.C. MAXIMUM
2. WEATHER BARRIER, BY OTHERS
3. PLYWOOD SUBSTRATE, BY OTHERS
4. FRAMING, BY OTHERS
5. #10-9 X 1 ¹/₈" ULP WOOD FASTENER
6. PANEL SUPPORT
7. ¹/₈" STAINLESS STEEL POP RIVET, PAINTED
8. C CHANNEL, 4" END LAP WITH A CONTINUOUS BEAD OF SEALANT IN THE LAP, FASTEN 12" O.C.
9. OUTSIDE CORNER, 4" END LAP WITH A CONTINUOUS BEAD OF SEALANT IN THE LAP, RIVET TO C CHANNEL 30" O.C.
10. HORIZONTAL VARIPANEL SYSTEM, FASTEN THROUGH THE FLANGE 24" O.C. MAXIMUM



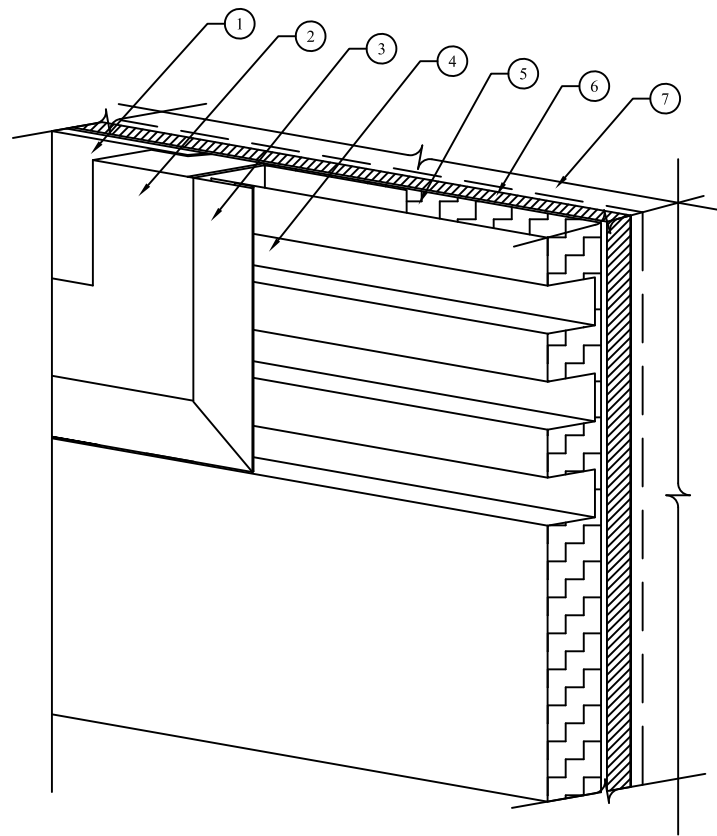
1. VERTICAL VARIPANEL SYSTEM, FASTEN THROUGH THE FLANGE 24" O.C.
2. WEATHER BARRIER, BY OTHERS
3. PLYWOOD SUBSTRATE, BY OTHERS
4. FRAMING, BY OTHERS
5. SILL FLASHING, 4" END LAPS WITH A CONTINUOUS BEAD OF TITAN TEK APPROVED SEALANT IN THE LAP, FASTEN 12" O.C.
6. WINDOW/DOOR FRAME, BY OTHERSJ CHANNEL, 4" END LAPS FASTEN 12" O.C.



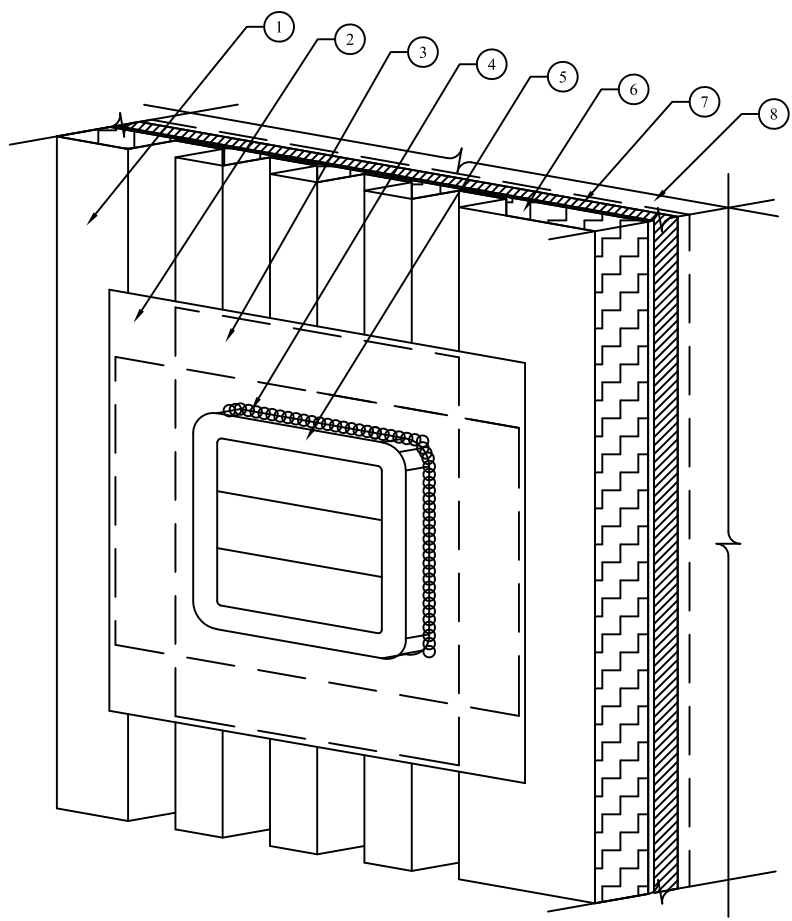
1. HORIZONTAL VARIPANEL SYSTEM, FASTEN THROUGH THE FLANGE 24" O.C.
2. WEATHER BARRIER, BY OTHERS
3. PLYWOOD SUBSTRATE, BY OTHERS
4. FRAMING, BY OTHERS
5. SILL FLASHING, 4" END LAPS WITH A CONTINUOUS BEAD OF TITANTEK APPROVED SEALANT IN THE LAP, FASTEN 12" O.C.
6. WINDOW/DOOR FRAME, BY OTHERS
7. J CHANNEL, 4" END LAPS FASTEN 12" O.C.



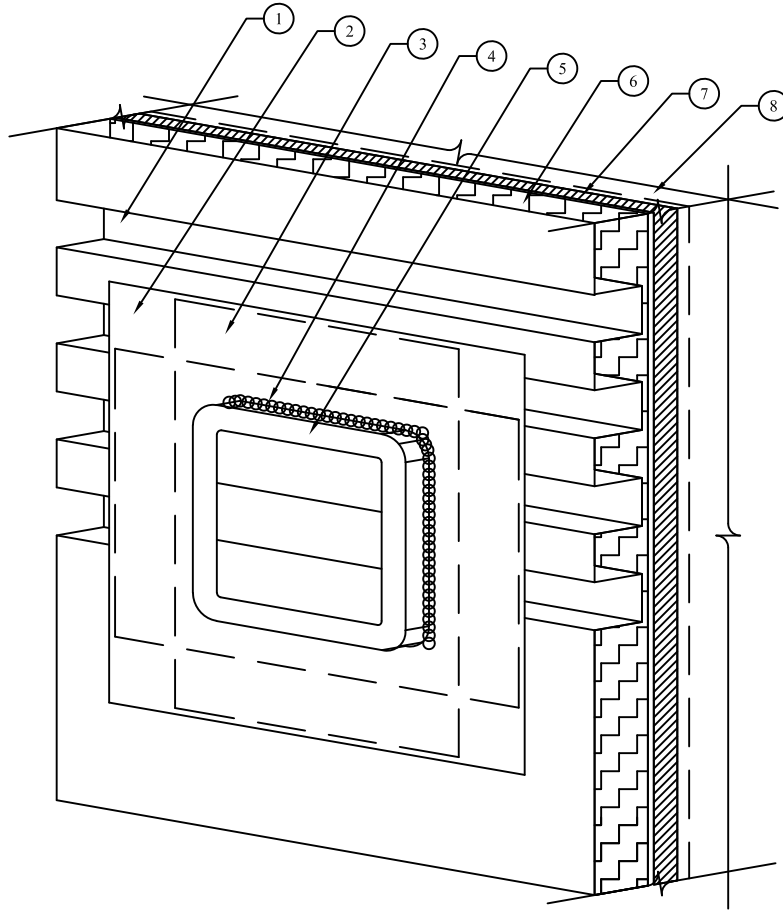
- 1. WINDOW/ LOUVER, BY OTHERS
- 2. WINDOW/ LOUVER FRAME, BY OTHERS
- 3. J CHANNEL, 4" END LAPS, FASTEN 12" O.C.
- 4. VERTICAL VARIPANEL, FASTEN THROUGH THE FLANGE 24" O.C.
- 5. WEATHER BARRIER, BY OTHERS
- 6. PLYWOOD SUBSTRATE, BY OTHERS
- 7. FRAMING, BY OTHERS



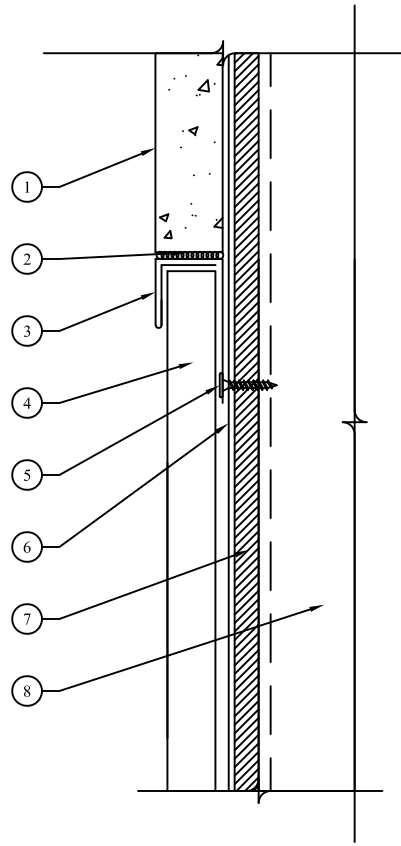
1. WINDOW/ LOUVER, BY OTHERS
2. WINDOW/ LOUVER FRAME, BY OTHERS
3. J CHANNEL, 4" END LAPS, FASTEN 12" O.C.
4. HORIZONTAL VARIPANEL, FASTEN THROUGH THE FLANGE 24" O.C.
5. WEATHER BARRIER, BY OTHERS
6. PLYWOOD SUBSTRATE, BY OTHERS
7. FRAMING, BY OTHERS



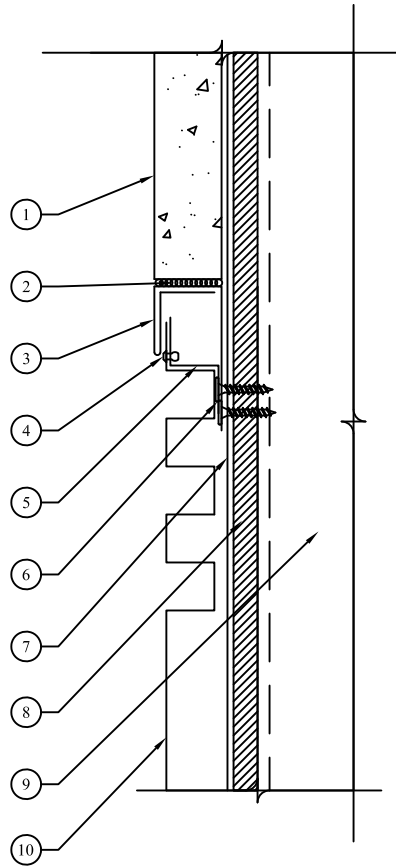
1. VERTICAL VARIPANEL FASTEN THROUGH THE FLANGE 24" O.C.
2. FACE PLATE, HEMMED OVER C CHANNEL, WOOD BLOCKING {BY OTHERS} MAYBE REQUIRED BEHIND FACE PLATE
3. C CHANNEL, 4" END LAP, FASTEN 12" O.C.
4. A CONTINUOUS BEAD OF TITANTEK APPROVED SEALANT
5. EXHAUST VENT, BY OTHERS
6. WEATHER BARRIER, BY OTHERS
7. PLYWOOD SUBSTRATE, BY OTHERS
8. FRAMING, BY OTHERS



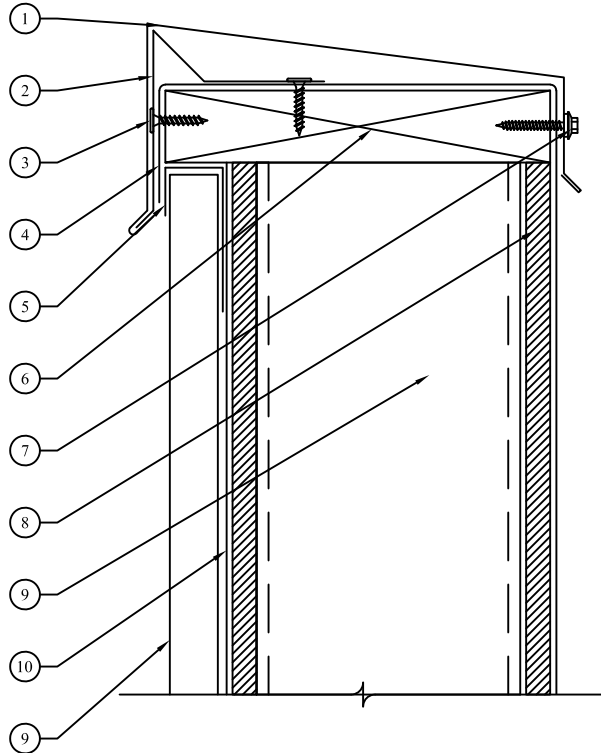
1. HORIZONTAL VARIPANEL FASTEN THROUGH THE FLANGE 24" O.C.
2. FACE PLATE, HEMMED OVER C CHANNEL, WOOD BLOCKING {BY OTHERS} MAYBE REQUIRED BEHIND FACE PLATE
3. C CHANNEL, 4" END LAP, FASTEN 12" O.C.
4. A CONTINUOUS BEAD OF TITANTEK APPROVED SEALANT
5. EXHAUST VENT, BY OTHERS
6. WEATHER BARRIER, BY OTHERS
7. PLYWOOD SUBSTRATE, BY OTHERS
8. FRAMING, BY OTHERS



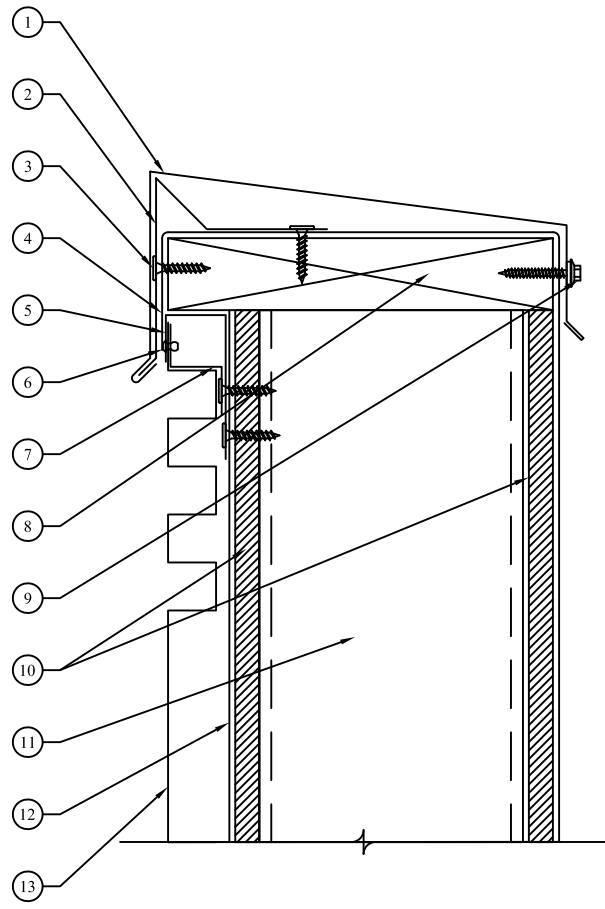
1. WALL SUBSTRATE, BY OTHERS
2. A CONTINUOUS BEAD OF TITANTEK APPROVED SEALANT
3. J CHANNEL, 4" END LAPS, FASTEN 12" O.C.
4. VERTICAL VARIPANEL, FASTEN THROUGH THE FLANGE 12" O.C.
5. #10-9 ULP WOOD FASTENER
6. WEATHER BARRIER, BY OTHERS
7. PLYWOOD SUBSTRATE, BY OTHERS
8. FRAMING, BY OTHERS



1. WALL SUBSTRATE, BY OTHERS
2. A CONTINUOUS BEAD OF TITANTEK APPROVED SEALANT
3. J CHANNEL, 4" END LAPS, FASTEN 12" O.C.
4. $\frac{1}{8}$ " STAINLESS STEEL POP RIVET, PAINTED
5. PANEL SUPPORT, FASTEN 12" O.C.
6. #10-9 ULP WOOD FASTENER
7. WEATHER BARRIER, BY OTHERS
8. PLYWOOD SUBSTRATE, BY OTHERS
9. FRAMING, BY OTHERS
10. HORIZONTAL VARI PANEL, FASTEN THOUGH THE FLANGE 12" O.C.



1. COPING COVER, 4" END LAPS WITH A CONTINUOUS BEAD OF TITANTEK APPROVED SEALANT, FASTEN 12" O.C.
2. COPING CLEAT, FASTEN 12" O.C THROUGH THE FLANGE AND FACE.
3. #10-9 X 1 $\frac{1}{8}$ " ULP WOOD FASTENER
4. ROOF MEMBRANE OR TITANTEK APPROVED UNDERLAYMENT.
5. C CHANNEL, 4" END LAP, FASTEN 12" O.C.
6. WOOD BLOCKING, BY OTHERS
7. #12 X 1 $\frac{1}{2}$ " HWH WOOD FASTENER
8. PLYWOOD SUBSTRATE, BY OTHERS
9. FRAMING, BY OTHERS
10. WEATHER BARRIER, BY OTHERS
11. VERTICAL VARIPANEL, FASTEN THOUGH THE FLANGE 12" O.C.



1. COPING COVER, 4" END LAPS WITH A CONTINUOUS BEAD OF TITANTEK APPROVED SEALANT, FASTEN 12" O.C.
2. COPING CLEAT, FASTEN 12" O.C THROUGH THE FLANGE AND FACE.
3. #10-9 X 1 $\frac{1}{8}$ " ULP WOOD FASTENER
4. ROOF MEMBRANE OR TITANTEK APPROVED UNDERLAYMENT.
5. C CHANNEL, 4" END LAPS, FASTEN 12" O.C.
6. $\frac{1}{8}$ " STAINLESS STEEL POP RIVET PAINTED
7. PANEL SUPPORT, FASTEN 12" O.C.
8. WOOD BLOCKING, BY OTHERS
9. #12 X 1 $\frac{1}{2}$ " HWH WOOD FASTENER
10. PLYWOOD SUBSTRATE, BY OTHERS
11. FRAMING, BY OTHERS
12. WEATHER BARRIER, BY OTHERS
13. HORIZONTAL VARIPANEL, FASTEN THOUGH THE FLANGE 12" O.C.